

# M-BENZ E-CLASS SED 00-02/ WGN 2000-03

## M-BENZ E-CLASS SED 00-02/ WGN 2000-03

### SECTION INDEX

A/C /HEATER/VENTILATION.....	1068
A/C REFRIGERANT CAPACITIES.....	1068
ABS/BRAKES.....	1070
AIR BAG SYSTEM.....	1070
AIR CLEANER.....	1074
BACK WINDOW.....	1083
CENTER CONSOLE.....	1077
CHASSIS TYPE.....	1066
CLEAR COAT IDENTIFICATION.....	1066
COOLING.....	1067
COWL & DASH.....	1076
ELECTRICAL.....	1075
EMISSION SYSTEM.....	1075
ENGINE UNDER COVER.....	1074
ENGINE/TRANS.....	1073
ENGINE/TRANS MOUNTS.....	1074
EXHAUST.....	1074
FRONT BUMPER.....	1066
FRONT DOOR.....	1079
FRONT DRIVE AXLE.....	1072
FRONT FENDER.....	1069
FRONT INNER STRUCTURE.....	1069
FRONT LAMPS.....	1066
FRONT SEAT.....	1078
FRONT STEERING LINKAGE/GEAR.....	1072
FRONT SUSPENSION.....	1071
FUEL TANK.....	1087
GRILLE.....	1066
HOOD.....	1067
INFORMATION LABELS.....	1066
INSTRUMENT PANEL.....	1076
LIFTGATE.....	1085
LUGGAGE LID.....	1084
PAINT CODE LOCATION.....	1066
QUARTER GLASS.....	1084
QUARTER PANEL.....	1083
REAR BODY.....	1087
REAR BUMPER.....	1088
REAR DOOR.....	1080
REAR DRIVE AXLE.....	1087
REAR LAMPS.....	1088
REAR SEAT.....	1078
REAR SUSPENSION.....	1086
ROCKER/PILLARS/FLOOR.....	1077
ROOF.....	1081
SEAT BELTS.....	1078
SPECIAL CAUTIONS.....	1066
STEERING PUMP.....	1072
STEERING WHEEL/COLUMN.....	1073
SUNROOF.....	1082
UNDERHOOD DIMENSIONS.....	1069
WHEEL.....	1071
WINDSHIELD.....	1076

### CHASSIS TYPE

Model Chassis Type	
E320 (RWD)	
Sedan.....	Ch 210.065
Wagon.....	Ch 210.265
E320 4MATIC (AWD)	
Sedan.....	Ch 210.082
Wagon.....	Ch 210.282
E430 (RWD)	Ch 210.070
E430 4MATIC (AWD)	Ch 210.083
E55 AMG.....	Ch 210.074

### SPECIAL CAUTIONS

#### AIR BAGS

Refer to Procedure Explanation 29 for Supplemental Restraint/Air Bag Special Cautions.

### ELECTRICAL COMPONENTS

Ignition must be in off position before any electrical repair is performed.

### SUSPENSION

Manufacturer advises that some new fasteners must be used whenever old fasteners are loosened or removed.

### WELDING

Before initiating any repair involving the use of an electric welder, the ignition must be in the off position and both battery terminals disconnected.

### PAINT CODE LOCATION

Paint code located at center of radiator support.

### CLEAR COAT IDENTIFICATION

All colors are clear coat.

### INFORMATION LABELS

Labels must be special ordered from dealer by VIN and application.

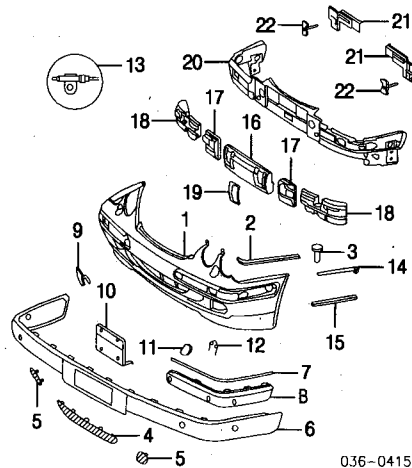
Label, Hinge Guide	R 210 817 10 20	.70
Label, Anti-Theft		
w/ Radio Code	140 817 05 20	.70
w/o Radio Code	140 817 04 20	.70

### FRONT BUMPER

Use Procedure Explanations 1 and 28 with the following text.

Refinish Cover Assy.....	2.3
Refinish Tow Brkt Cover.....	.2
Refinish Headlamp Washer Cover.....	R/L .2
Refinish License Brkt.....	.4
Refinish Impact Strip (1 Piece)	
E430 w/Sport Pkg.....	.8
E55.....	.8
Refinish Impact Strip (2 Piece).....	R/L .5
R&I Bumper Assy.....	#1.8
O/H Bumper Assy (Includes R&I).....	#4.1
<i>#Includes R&amp;I/R&amp;R Front Engine Undercover</i>	
R&R Parktronic Sensors Complete.....	.5
Add to R&R or O/H Bumper Assy	
w/ Parktronic Sensor.....	.5
w/ H/Lamp Washers.....	.5

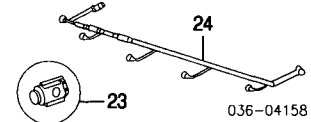
NOTE: All Parts in this section are included in overhaul unless noted otherwise.



036-04157

1 Cover, Front Bumper (P)		
w/ H/Lamp Washers		
w/Sport Pkg	210 885 24 25	#4.1 1030.00
w/o Sport Pkg	210 885 23 25	#4.1 430.00
w/o H/Lamp Washers		
w/Sport Pkg	210 885 25 25	#4.1 920.00
w/o Sport Pkg	210 885 18 25	#4.1 364.00
<i>(P) Paint to Match</i>		
<i>#Includes R&amp;I/R&amp;R Front Engine Undercover</i>		
2 Seal, Bumper Cover	R 210 889 02 95	6.00
	L 210 889 01 95	6.00
3 Rivet, Bumper Cover (4/Side)	R/L 009 990 00 94	1.00
4 Grille, Center Bumper		
w/Sport Pkg	210 885 04 53	.3 135.00
w/o Sport Pkg	210 885 00 53	.3 17.50
5 Grille, Outer Bumper		
w/Sport Pkg	R 210 885 06 53	.2 79.00
	L 210 885 07 53	.2 79.00
	R 210 885 02 53	.2 8.50
	L 210 885 01 53	.2 6.50
w/o Sport Pkg	002 988 48 81	1.40
6 Retainer, Grille (10)		
Sedan	210 885 00 21	#.5 140.00
<i>#w/Bumper Assy Removed</i>		
7 Moulding, Cover	R 210 885 10 74	#.2 50.00
	L 210 885 09 74	#.2 50.00
<i>#w/Impact Strip Removed, Included in R&amp;R Impact Strip</i>		
8 Strip, Impact (P)		

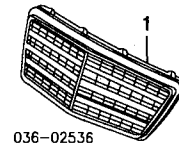
w/Parktronic System	R 210 885 24 21	.3 60.00
	L 210 885 23 21	.3 86.00
w/o Parktronic System	R 210 885 18 21	.3 208.00
	L 210 885 17 21	.3 208.00
9 Cover, Tow Brkt (P)	210 885 00 26	49.50
10 Bracket, License (P)	210 885 07 81	.2 109.00
11 Cover, Headlamp Washers (P)	R 210 885 08 26	.2 52.00
	L 210 885 07 26	.2 44.50
<i>(P) Paint to Match</i>		
12 Spring, H/Lamp Washer	R/L 210 885 00 35	3.50
13 Sensor, Outboard Temp	000 542 84 18	# 14.50
<i>#Not Included in O/H</i>		
14 Rail, Upr Bumper Side	R 210 885 48 21	8.75
	L 210 885 47 21	8.75
15 Rail, Lwr Bumper Side	R 210 885 46 21	8.75
	L 210 885 45 21	8.75
16 Absorber, Center Impact	210 885 63 37	22.50
17 Absorber, Inner Impact	R 210 885 86 37	16.00
	L 210 885 85 37	16.00
18 Absorber, Outer Impact		
w/Sport Pkg	R 210 885 90 37	20.00
	L 210 885 91 37	19.50
w/o Sport Pkg	R 210 885 60 37	16.00
	L 210 885 59 37	16.00
19 Plate, Adapter	R 210 885 20 11	7.50
	L 210 885 19 11	7.50
20 Frame, Bumper Cover	210 880 05 52	87.00
21 Layer, Inner Frame	R 210 885 04 95	16.00
	L 210 885 03 95	16.00
22 Plate, Mounting	R/L 210 880 08 11	20.00



23 Sensor, Parktronic (6)	001 542 74 18	#.2 57.00
<i>#w/Bumper Assy Removed</i>		
24 Harness, Parktronic	210 540 14 33	102.00

### GRILLE

R&I Grille.....	#.5
<i>#Included in R&amp;R Hood</i>	



036-02536

1 Grille]		
Sedan		
Avantgarde Pkg	210 880 06 83 9040	#.5 310.00
Classic Model, Elegance Pkg	210 880 05 83	#.5 240.00
Wagon	210 880 06 83 9040	#.5 310.00
<i>#Order by Application</i>		
<i>#Included in R&amp;R Hood</i>		

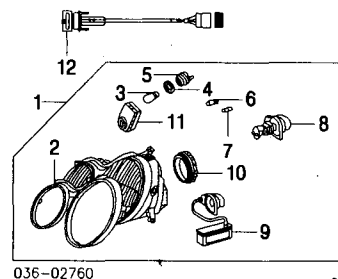
### FRONT LAMPS

#### COMBINATION LAMP

Aim Lamps.....	.4
R&I Combination Lamp Assy.....	R/L #.4
<i>#w/Bumper Assy Removed, Included in R&amp;I/R&amp;R Fender</i>	
O/H Combination Lamp Assy (Includes R&I)	
One Side.....	R/L .7
Both Sides.....	1.2

NOTE 1: R&R Does Not include aim lamps.

NOTE 2: All Parts in this section are included in overhaul unless noted otherwise.



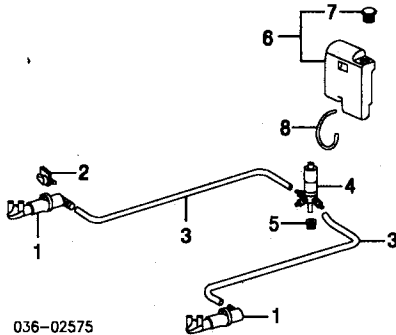
036-02760

1 Lamp Assy, Combination		
Halogen	R 210 820 38 61	#.4 388.00
	L 210 820 37 61	#.4 388.00
Xenon	R 210 820 44 61	#.4 1010.00
	L 210 820 43 61	#.4 1010.00
<i>#w/Bumper Assy Removed, Included in R&amp;I/R&amp;R Fender</i>		
2 Gasket, Lens]	R 210 826 28 80	.7 21.00

# M-BENZ E-CLASS SED 00-02/ WGN 2000-03

3 Bulb, Signal (a)	L 210 826 27 80	.7	21.00
	R/L 002 544 13 94	#.3	2.20
<i>(a) Order by Application</i>			
4 Seal, Bulb	R/L 210 826 03 91		1.40
5 Socket, Signal Lamp	R/L 000 826 91 82		11.50
6 Bulb, High/Low Beam	R/L 400809 000007	#.3	5.75
7 Bulb, Clearance	R/L 000000 000172	#.3	2.50
8 Burner, Xenon			
Low Beam	R/L 910139 000000	#.3	192.00
9 Control, Xenon Bulb	R/L 210 820 69 26	#.3	320.00
10 Cover, Lamp	R 208 820 02 49	#.3	15.00
	L 208 820 01 49	#.3	15.00
<b>#R&amp;R One Side Complete</b>			
11 Motor, Range Adjuster	R/L 208 820 04 42		92.00
<i>#Included w/Combination Lamp Assy</i>			
Mounting Kit, Lamp	R/L 210 826 01 00		24.50
12 Cable, Electric			
Halogen	R/L 210 540 02 33		25.00
Xenon Lamp	R/L 210 540 08 33		25.00

## HEADLAMP WASHER

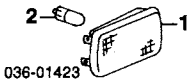


036-02575

1 Nozzle, Washer	R 210 860 16 47	.3	124.00
	L 210 860 15 47	.3	124.00
2 Bracket, Nozzle	R 210 869 02 14		3.00
	L 210 869 01 14		3.00
3 Hose, Washer	N.A.		0.00
<i>#Cut to Fit</i>			
4 Pump, Headlamp Washer	210 869 11 21	#.5	76.00
<i>#Included in R&amp;R Washer Reservoir</i>			
5 Grommet, Pump	210 997 00 81		1.40
6 Reservoir Assy, Washer	210 860 21 60	.5	22.00
7 Cap, Reservoir	210 869 00 72		3.00
<i>#Included w/Washer Reservoir Assy</i>			
8 Hose, Pump/Reservoir	210 869 02 94		0.00

## SIDE MARKER LAMP

R&I Side Marker Lamp.....R/L #.2  
*#w/Fender Liner Removed*

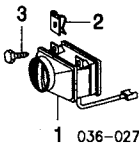


036-01423

1 Lamp, Side Marker	R 210 820 14 21	#.2	15.00
	L 210 820 13 21	#.2	15.00
<i>#w/Fender Liner Removed</i>			
2 Bulb, Marker Lamp	R/L 000000 000853		5.00

## FOG LAMP W/SPORT PKG

R&I Fog Lamp.....R/L #.4  
*#w/Front Bumper Assy Removed, R&I Both .6, Included in O/H Bumper Assy*

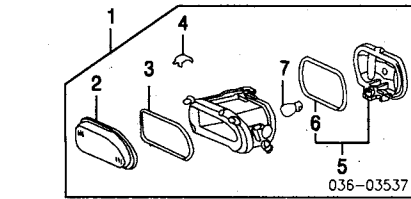


036-02761

1 Lamp, Fog	R 208 820 04 56	#.4	174.00
	L 208 820 03 56	#.4	174.00
<i>#w/Front Bumper Assy Removed, R&amp;R Both .6, Included in O/H Bumper Assy</i>			
2 Clip, Spring (S/Side)	R/L 002 994 81 45		.20
3 Bolt, Mtg (S/Side)	R/L 011 990 27 01		.90

## FOG LAMP W/O SPORT PKG

R&I Fog Lamp.....R/L #.4  
*#w/Front Bumper Assy Removed, R&I Both .6, Included in O/H Bumper Assy*



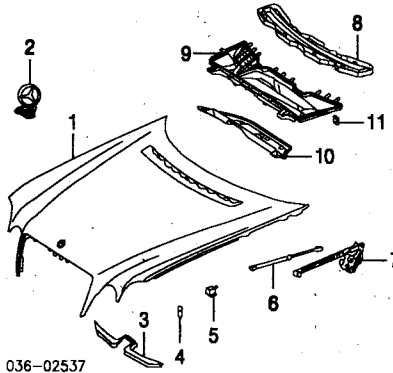
036-03537

1 Lamp Assy, Fog	R 170 820 02 56	#.4	105.00
	L 170 820 01 56	#.4	105.00
<i>#w/Front Bumper Assy Removed, R&amp;R Both .6, Included in O/H Bumper Assy</i>			
2 Lens, Fog Lamp	R 170 826 10 90	#.5	18.50
	L 170 826 09 90	#.5	18.50
3 Seal, Lens	R/L 170 826 00 91	#.5	3.90
4 Clip, Spring (3/Side)	R/L 140 826 02 84	#.5	1.20
5 Cover Assy, Lamp	R/L 210 820 00 49	#.5	12.50
6 Seal, Cover (a)	R/L 210 826 02 91	#.5	7.00
<i>(a) Included w/Lamp Cover Assy</i>			
7 Bulb, Fog Lamp	R/L 000000 000268	#.5	5.25
<i>#Included w/Fog Lamp Assy</i>			
<b>#R&amp;R One Side Complete, w/Front Bumper Assy Removed, R&amp;R Both Sides .8</b>			

## HOOD

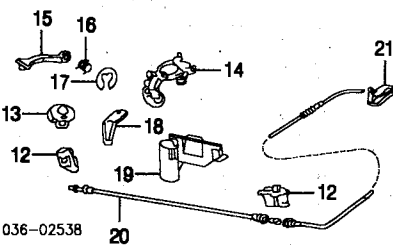
Use Procedure Explanations 4 and 28 with the following text.

Refinish Hood Outside.....	2.8
Add for Underside.....	1.4
Refinish Hinge.....R/L	.2
Refinish Hood Cover.....	.4
R&I Hood Assy.....	1.3
R&I Star Ornament.....	.2
R&I Hood Cover.....	.4



036-02537

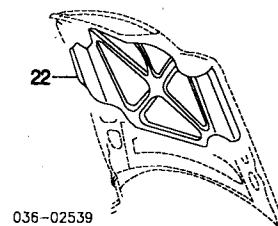
1 Panel, Hood	210 880 09 57	#2.8	520.00
<i>#Includes R&amp;R/R Grille Assy</i>			
2 Ornament, Star	210 880 02 86	.2	24.50
3 Seal, Hood Front	210 889 00 98		8.75
4 Bumper, Hood	R/L 140 988 03 11		2.50
5 Seal, Hood Side	R/L 210 880 01 97		4.50
6 Strut, Hood	R/L 210 880 04 29	.3	48.50
7 Hinge	R 210 880 08 28	#.3	46.00
	L 210 880 07 28	#.3	46.00
<i>#w/Hood &amp; Fender Liner Removed</i>			
8 Cover, Hood	210.880 07 05 5904	#.4	120.00
<i>#Midnight Blue listed, Order by Application</i>			
9 Duct, Hood Air			
E320	210 830 24 44	#.4	81.00
E430	210 830 19 44	#.4	430.00
E55	210 830 19 44	#.4	430.00
<b>#R&amp;R Complete</b>			
10 Insulation, Duct			
E320	210 682 37 28		16.50
E430	210 682 31 28		16.50
E55	210 682 31 28		16.50
<i>#Order by Application</i>			
11 Valve, Duct	140 832 00 84		1.70



036-02538

12 Latch	R/L 210 880 09 60	.4	39.50
13 Catch, Upper	R/L 210 880 10 60	.2	16.50

14 Hook, Safety	202 880 04 64	#.3	22.00
15 Handle, Hook			
Avantgarde Pkg	210 887 08 27	#.3	5.75
Classic Model, Elegance Pkg	210 887 07 27	#.3	5.75
16 Spring, Handle	202 887 07 79	#.3	1.00
17 Lock, Handle	912001 008000	#.3	1.00
<b>#R&amp;R Complete</b>			
18 Deflector, Hook	202 887 02 45		3.00
19 Switch, Anti-Theft Alarm	210 820 47 10	.2	26.00
20 Cable, Release	210 880 01 59	1.5	34.50
21 Handle, Cable	124 880 03 20	.3	11.50



036-02539

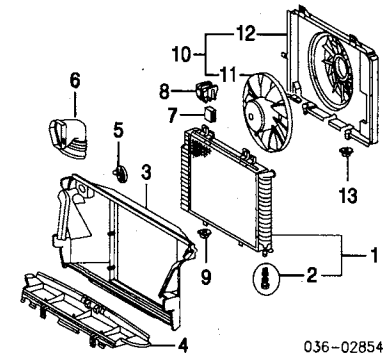
22 Insulator, Hood Rivet, Insulator (14)	210 682 02 26	.4	57.00
	000 990 78 92		1.00

## COOLING

Use Procedure Explanations 5 and 28 with the following text.

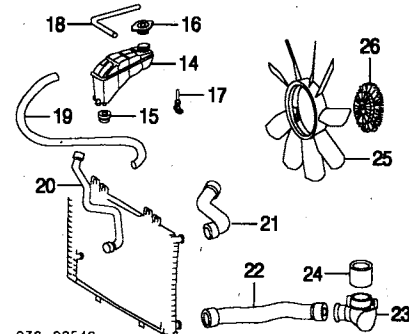
### E320

R&I Radiator Assy..... 2.2



036-02854

1 Radiator Assy	210 500 71 03	2.2	378.00
2 Screw, Drain	000 500 01 85		3.50
<i>#Included w/Radiator Assy</i>			
3 Baffle, Air Upper	210 500 08 16	#.2	36.00
<i>#w/Fan &amp; Motor Assy Removed</i>			
4 Baffle, Air Lower	210 505 21 30		18.50
5 Cover, Air Baffle	210 505 02 03		.90
6 Scoop, Air	210 528 19 04		34.50
7 Mount, Radiator Upper	R/L 210 504 04 12		3.90
8 Clamp, Mount	R/L 210 504 01 46		1.70
9 Mount, Radiator Lower	R/L 210 504 00 12		2.70
10 Fan Assy, Cooling	001 500 35 93	#1.0	368.00
11 Fan & Motor, Cooling	000 540 15 88	#1.0	220.00
12 Shroud, Fan	210 505 23 55	#1.0	92.00
<i>#Included w/Cooling Fan Assy</i>			
<b>#R&amp;R Complete</b>			
13 Mount, Shroud	R/L 140 504 02 12		2.50



036-02542

14 Tank, Overflow	210 500 05 49	.8	47.50
15 Mount, Tank (2)	201 504 01 12		1.50
16 Cap, Filler	210 501 03 15		15.50
17 Switch, Level	210 545 00 24		15.00
18 Hose, Overflow	N.A.		0.00
<i>#Cut to Fit</i>			
19 Hose, Expansion	900271 008085		0.00
20 Hose, Filler			

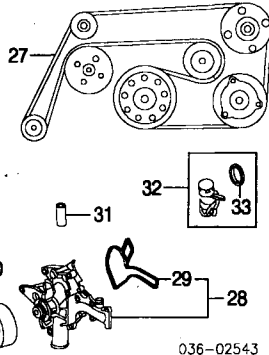
**M-BENZ E-CLASS SED 00-02/ WGN 2000-03**

**COOLING Cont'd**

**E320 Cont'd**

AWD	112 203 00 82		32.00
RWD	210 501 58 82		21.00
21 Hose, Upper Rad	210 501 33 82	.6	23.50
22 Hose, Lower Rad	210 501 32 82	.7	29.50
23 Housing, Pre-Heater			
Canada	N.A.	0.00	
24 Hose, Pre-Heater			
Canada	N.A.	0.00	
25 Blade, Fan			
To Eng 033140	112 200 00 23	#1.0	51.00
From Eng 033141	112 200 01 23	#1.0	51.00
26 Clutch, Fan	112 200 01 22	#1.0	180.00

*#R&R Complete*

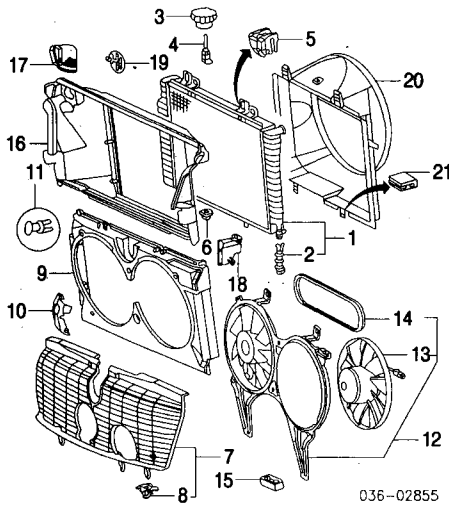


27 Belt, Drive	011 997 97 92	.9	57.00
28 Pump Assy, Water			
To Eng 033140	112 200 14 01	m #4.1	370.00
From Eng 033141	112 200 15 01	m #4.1	d380.00
<i>#Included in R&amp;R Timing Cover</i>			
29 Gasket, Pump	112 201 00 80	m	4.70
<i>#Included w/Water Pump Assy</i>			
30 Pulley, Pump	112 202 01 10		31.00
<i>#Order by Application</i>			
31 Hose, Cooler	112 203 03 82		5.50
32 Thermostat Assy	112 203 02 75	m .6	25.00
33 Gasket, Thermostat	112 203 00 76		2.00

*#Included w/Thermostat Assy*

**E430, E55**

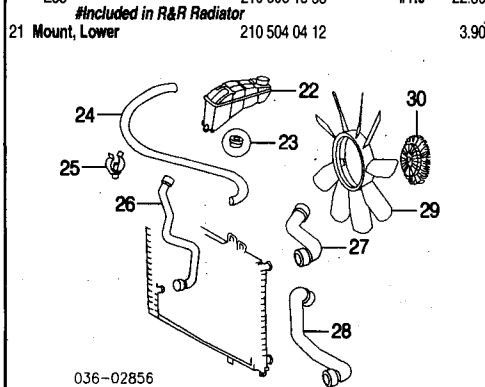
R&I Radiator Assy	2.2
-------------------	-----



1 Radiator Assy			
E430	210 500 68 03	2.2	378.00
E55	210 500 47 03	2.2	378.00
2 Screw, Drain	000 500 01 85		3.50
<i>#Included w/Radiator Assy</i>			
3 Cap, Filler	210 501 05 15		17.00
4 Switch, Level	210 545 00 24	.4	15.00
5 Clamp, Upper	R/L 210 504 01 46		1.70
6 Mount, Lower	R/L 210 504 00 12		1.70
7 Grille Assy, Fan & Motor	210 503 02 01	.3	12.00
8 Clip, Grille	R/L 202 988 01 42		1.70
<i>#Included w/Fan &amp; Motor Grille Assy</i>			
9 Shroud, Outer Fan			
E430	210 505 27 55	1.2	17.50
E55	210 505 19 55	1.2	17.50
10 Cover, Shroud	210 505 00 03		1.90
11 Retainer, Shroud (6)	123 990 00 92		.50
12 Fan & Motor Assy	001 500 38 93	#1.0	354.00

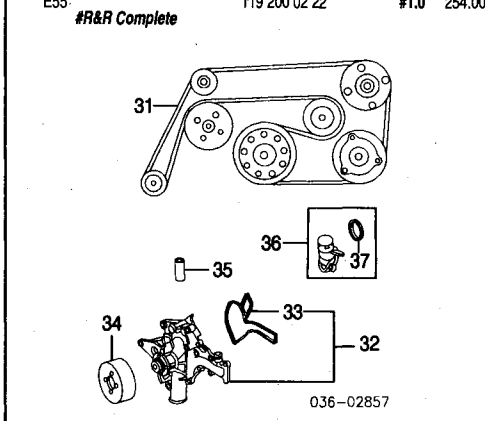
*#Included in R&R Outer Fan Shroud*

13 Fan & Motor, Aux	000 540 17 88	1.0	180.00
14 Belt, Fan	011 997 00 92	.9	17.50
<i>#Included w/Fan &amp; Motor Assy</i>			
15 Mount, Rubber	R/L 210 504 05 12		1.70
16 Baffle, Air			
E430	210 500 08 16	#.2	36.00
E55	210 500 09 16	#.2	48.50
<i>#w/Fan &amp; Motor Assy Removed</i>			
17 Scoop, Upper Air	210 528 19 04		34.50
18 Scoop, Lower Air			
E55	210 528 21 04		57.00
19 Cover, Baffle	210 505 02 03		.90
20 Shroud, Inner Fan			
E430	210 505 25 55	#1.0	17.50
E55	210 505 15 55	#1.0	22.50



*#Included in R&R Radiator*

21 Mount, Lower	210 504 04 12		3.90
22 Tank, Overflow	210 500 05 49	.8	47.50
23 Mount, Lower	R/L 201 504 01 12		1.50
24 Hose, Overflow			
E430	N.A.		0.00
E55	N.A.		0.00
<i>#Cut to Fit</i>			
25 Bolt, Retainer	210 501 00 20		1.90
26 Hose, Overflow Tank			
E430	112 203 00 82		32.00
RWD	210 501 58 82		21.00
E55	210 501 58 82		21.00
27 Hose, Upper Rad			
E430	210 501 41 82	.6	25.00
E55	210 501 43 82	.6	81.00
28 Hose, Lower Rad	210 501 26 82	.7	20.00
29 Blade, Fan			
E430			
To Eng 000200	119 200 00 23	#1.0	83.00
From Eng 002001	113 200 02 23	#1.0	83.00
E55	113 200 02 23	#1.0	83.00
30 Clutch, Fan			
E430	113 200 00 22	#1.0	254.00
E55	119 200 02 22	#1.0	254.00



*#R&R Complete*

31 Belt, Drive	011 997 97 92	.9	57.00
32 Pump Assy, Water			
E430	112 200 15 01	m #4.1	d380.00
E55	112 200 14 01	m #4.1	370.00
<i>#Included in R&amp;R Timing Cover</i>			
33 Gasket, Pump	112 201 00 80	m	4.70
<i>#Included w/Water Pump Assy</i>			
34 Pulley, Water Pump	112 202 01 10	m	31.00
35 Hose, Cooler	112 203 03 82		5.50
36 Thermostat Assy	112 200 00 15	m .6	27.00
37 Gasket, Thermostat	112 203 00 76		2.00

*#Included w/Thermostat Assy*

**A/C REFRIGERANT CAPACITIES**

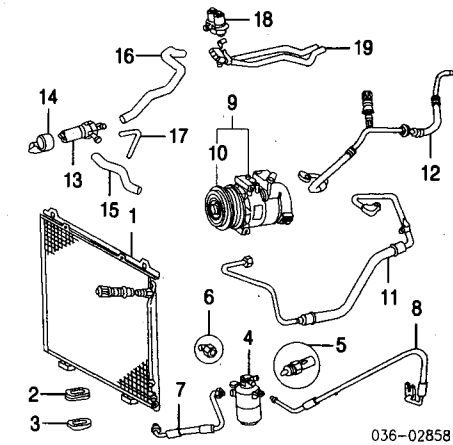
A/C R-134a Refrigerant Capacity  
2000-03: 35.2 Ozs (2.2 Lbs)

**A/C / HEATER/VENTILATION**

Use Procedure Explanation 6 with the following text.

R&I Condenser	m 1.6
Evacuate & Recharge System	m 1.4
Recover Refrigerant	m .3

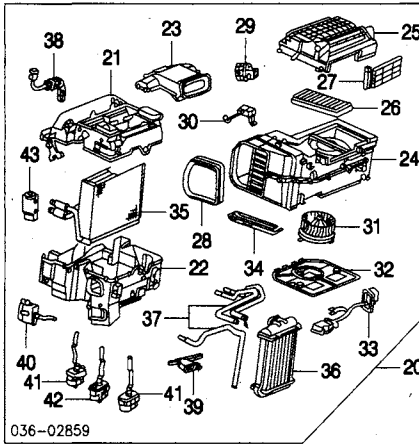
**NOTE: R&I/R&R Does Not include recover, evacuate and recharge system.**



1 Condenser				
E320	210 830 02 70	m	1.6	d288.00
E430, E55	210 830 05 70	m	1.6	268.00
2 Mount, Lower	R/L 140 997 07 81	m		1.50
3 Bushing, Lower	R/L 140 992 04 05	m		1.90
4 Receiver/Drier	210 830 04 83	m .5		119.00
5 Sensor, Temp	210 830 00 72	m		33.50
6 Sensor, Pressure	140 830 00 72	m		87.00
7 Hose, Receiver/Drier	210 830 46 15	m .4		33.50
8 Hose, Drier/Expansion Valve	210 830 05 15	m .5		61.00
9 Compressor Assy				
E320	000 230 85 11	m	1.0	720.00
E430, E55	000 230 20 11	m	1.0	d900.00
10 Clutch, Compressor	000 230 21 28	m		730.00
<i>#Included w/Compressor Assy</i>				
<i>Belt, Drive-See Cooling Section</i>				
11 Hose, Suction				
E320				
To VIN 639890	112 230 03 56	m .8		174.00
From VIN 639891	112 230 32 56	m .8		174.00
E430	112 230 13 56	m .8		174.00
E55				
To VIN 639890	113 230 01 56	m .8		137.00
From VIN 639891	113 230 10 56	m .8		187.00
12 Hose, Valve/Compressor				
E320				
AWD	210 830 47 15	m .8		197.00
RWD	210 830 51 15	m .8		256.00
E430				
AWD	210 830 61 15	m .8		256.00
RWD	210 830 51 15	m .8		256.00
E55	210 830 51 15	m .8		256.00
<i>#R&amp;R Both 1.2</i>				
13 Pump, Recirculating	001 835 35 64	m .8		262.00
14 Bracket, Pump	210 830 04 14	m #1		14.00
<i>#w/Pump Removed</i>				
15 Hose, Pump/Engine				
E320	210 832 46 94	m .5		17.50
E430, E55	210 832 47 94	m .5		32.50
16 Hose, Pump/Water Valve	210 832 27 94	m .5		7.75
17 Hose, Return				
w/Windshield Washer Heater	210 832 48 94	m .5		11.00
<i>#w/Recirculating Pump Removed Deduct .2</i>				
18 Valve, Water	001 830 77 84	m .7		170.00
19 Pipe, Valve/Heater Core	210 830 00 24	m		47.00

Illustration Located in Next Column

20 Case Assy, Heater	210 830 30 62	m 12.0		2350.00
21 Case, Upper	210 830 69 03	m		105.00
22 Case, Lower	210 830 06 03	m		112.00
23 Housing, Center	210 830 53 03	m		33.50
24 Housing, Blower	210 830 17 03	m		169.00
25 Cover, Fresh Air	210 830 32 03	m		65.00
26 Filter, Dust	210 830 10 18	m .7		27.50
27 Cover, Dust Filter	210 830 36 03	m		6.75
28 Filter, Charcoal	R/L 210 821 02 18	m .3		100.00
29 Element, Air Flap Actuator	210 800 05 75	m		58.00
30 Motor, Flap By-Pass	210 820 06 42	m .8		428.00
31 Motor, Blower	210 820 68 42	m .8		428.00
32 Cover, Blower Housing	210 835 27 40	m		46.00
33 Switch, Blower	R 210 821 15 51	m		270.00
34 Cover, Housing Lower	L 210 835 03 40	m		3.90
	L 210 835 02 40	m		3.90
	210 830 09 58	m #13.0		710.00
35 Core, Evaporator				
<i>#Includes R&amp;R Heater Core</i>				
36 Core, Heater	210 830 06 61	m 12.7		152.00



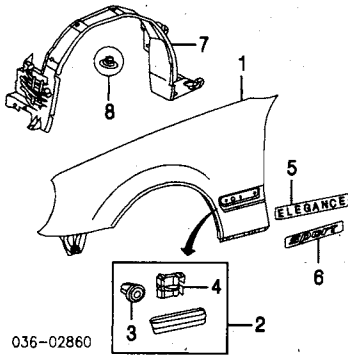
37 Pipe, Line Exchanger	001 830 34 15	m	85.00
38 Sensor, Evaporator Temp	210 830 05 72	m	50.00
39 Sensor, Heater Temp	210 830 04 72	m	11.00
Element, Actuator			
40 Defroster Flap (2)	202 800 01 75	m	60.00
41 Lower Element	R 202 800 07 75	m	46.00
	L 202 800 15 75	m	46.00
42 Air Scoop	L 202 800 06 75	m	54.00
43 Valve, Expansion	202 830 01 84	m #2.3	139.00
*Included w/Heater Case Assy			
*Included in R&R Evaporator Core			

**FRONT FENDER**

Use Procedure Explanations 7 and 28 with the following text.

**SHEET METAL/EXTERIOR TRIM**

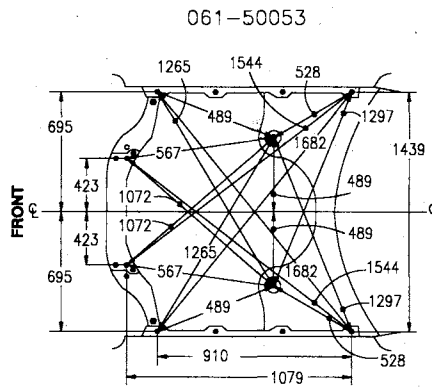
Refinish Fender Outside	R/L	2.1
Add to Edge	R/L	.5
Refinish Side Moulding Assy	R/L	.3
R&I Fender Assy	R/L	#2.8
*w/Bumper Assy Removed, Includes R&I/R&R Fender Liner & H/Lamp Assy		
R&I Side Moulding Assy	R/L	.3



1 Fender			
Sedan			
w/Sport Pkg	R 210 880 26 18	#3.8	550.00
	L 210 880 25 18	#3.8	550.00
w/o Sport Pkg	R 210 880 16 18	#3.8	294.00
	L 210 880 15 18	#3.8	294.00
Wagon	R 210 880 16 18	#3.8	294.00
	L 210 880 15 18	#3.8	294.00
*w/Bumper Removed, Includes R&I/R&R Fender Liner & H/Lamp Assy			
2 Moulding Assy, Side (P)	R 210 690 02 82	.3	71.00
	L 210 690 01 82	.3	71.00
(P) Paint to Match			
3 Clip, Upper (3/Side)	R/L 001 988 80 81		1.20
4 Clip, Lower (3/Side)	R/L 001 988 76 81		.70
*Included w/Side Moulding Assy			
Nameplate (Adhesive)			
5 "ELEGANCE"	R/L 210 817 15 20	.2	17.50
6 "sport"	R/L 202 817 54 20	.2	17.50
7 Liner, Fender			
AWD	R 210 698 92 30	.6	47.50
	L 210 698 91 30	.6	47.50
RWD	R 210 698 84 30	.6	47.50
	L 210 698 83 30	.6	47.50
8 Clip, Liner (2/Side)	R/L 000 988 94 25		.40

**UNDERHOOD DIMENSIONS**

2000-02



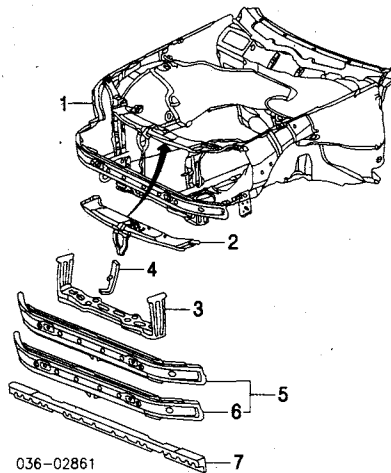
2003

Information not available at time of publication.

**FRONT INNER STRUCTURE**

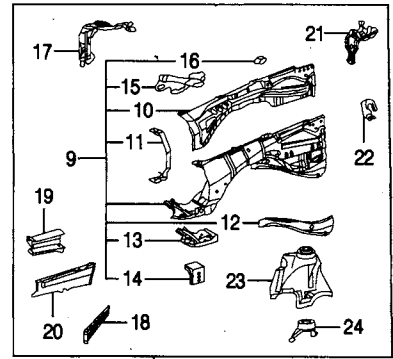
Use Procedure Explanations 8 and 28 with the following text.

Refinish Front End Assy	5.5
Refinish Radiator Support	1.5
Refinish Upper Tie Bar	.5
Refinish Crossmember Support	1.0
Refinish Apron Assy	R/L 1.5
Refinish Apron Panel	R/L 1.0
Refinish Front Lamp Reinf.	R/L .5
R&R Radiator Support Complete	#10.3
*Includes R&R Upper Tie Bar, Radiator Support, Center Brace, Front Lamp Reinf, R&I/R&R Headlamp Assemblies, Horn, Radiator & Inner Fan Shroud, Outer Fan Grille, Front Undercover, Hood Latches, Hood Stops, Aux Fans, Motors, Shroud & Air Baffle as an Assy, Disconnect & Connect Wiring & Hood Release Cable as Necessary	
Add to R&R Radiator Support Complete	
To R&R Base Model Mechanical Components	m #.7
*Includes R&R A/C Condenser & D&C Power Steering Cooler & A/C Lines	
To Air Lamps	.4
Evacuate & Recharge System	m 1.4
Recover Refrigerant	m .3



1 End Assy, Front			
E320			
AWD	210 620 41 05	s #27.0	4280.00
RWD	210 620 39 05	s #27.0	4100.00
E430			
AWD	210 620 43 05	s #27.0	3800.00
RWD	210 620 39 05	s #27.0	4100.00
E55	210 620 39 05	s #27.0	4100.00
*Does Not Include Frame Set-Up on Straightening Bench as per Manufacturer Recommended Procedures			
2 Bar, Upper Tie	210 620 25 72	s 1.0	52.00
3 Support, Radiator	210 620 24 86	s 4.0	57.00
4 Brace, Center	210 620 14 85	.3	12.50
5 Support Assy, Crossmember	210 620 49 86	s 3.5	238.00

6 Cover, Support	(a)	210 620 17 67	s	70.00
(a) Included w/Crossmember Support Assy				
7 Reinf, Support Cover		210 628 31 16	s	18.50

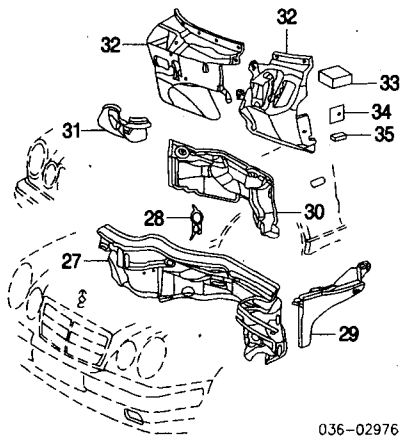


036-02975

8 Apron Assy				
E320				
AWD (a)	R 210 620 54 61	s #13.0	2190.00	
	L 210 620 53 61	s #13.0	2190.00	
RWD	R 210 620 52 61	s #13.0	1120.00	
	L 210 620 51 61	s #13.0	1320.00	
E430, E55	R 210 620 52 61	s #13.0	1120.00	
	L 210 620 51 61	s #13.0	1320.00	
(a) Order by Application				
9 Panel Assy, Apron Outer	(a)	R 210 620 60 61	s #7.5 620.00	
		L 210 620 59 61	s #7.5 620.00	
*w/Front Lamp Reinf Removed Deduct 1.0, Does Not Include Frame Set-Up on Straightening Bench as per Manufacturer Recommended Procedures				
10 Reinf, Hood Hinge	(a) (b)	R 210 620 28 16	74.00	
		L 210 620 27 16	74.00	
11 Reinf, Apron	(a) (b)	R 210 626 24 46	24.50	
		L 210 626 23 46	24.50	
12 Support, Apron Outer	(a) (b)	R 210 622 16 04	36.00	
		L 210 622 17 04	54.00	
13 Support, Apron Front	(a) (b)	R 210 620 08 33	14.50	
		L 210 626 09 75	14.50	
14 Brkt, Fender	(a) (b)	R/L 210 626 70 14	4.90	
15 Brkt, Expansion Tank	(a) (b)			
Right Side		210 626 14 14	6.50	
16 Plate, Apron/Fender	(a) (b)			
(2/Side)		R/L 129 626 00 11	1.00	
(b) Included w/Apron Outer Panel Assy				
17 Reinf, Front Lamp	(a)	R 210 620 28 72	s #2.5 46.00	
		L 210 620 27 72	s #2.5 46.00	
*w/Necessary Bolted Parts & Assemblies Removed, w/Upper Tie Bar Removed Deduct .3				
18 Reinf, Apron	(a)	R 210 626 80 16	s 18.50	
		L 210 626 79 16	s 18.50	
19 Support, Side Rail	(a)	R 210 620 18 34	s 328.00	
		L 210 620 17 34	s 328.00	
20 Reinf, Rail	(a)	R 210 620 16 67	s 2.0 68.00	
		L 210 620 15 67	s 2.0 68.00	
21 Brkt, Hydro Unit	(a)			
Left Side		R 210 626 63 14	11.00	
22 Brkt, Brake Hose	(a)	R 210 626 46 14	4.70	
		L 210 626 45 14	4.40	
23 Brace, Upr Spring	(a)			
AWD		R 210 620 08 28	137.00	
		L 210 620 07 28	137.00	
24 Brace, Lwr Spring	(a)	R/L 210 626 01 19	s 25.00	
*Included w/Front End Assy				
(a) Included w/Apron Assy				
Rivet (b)		R/L 003 990 35 97	.70	
(b) Order by Application				
25 Reinforcement				
AWD		R 210 620 18 16	41.00	
		L 210 620 17 16	41.00	
26 Crossmember, Engine				
E320				
AWD		210 620 05 87	m #2.0 1100.00	
RWD		210 620 18 87	m #2.0 338.00	
E430				
AWD		210 620 19 87	m #2.0 1100.00	
RWD		210 620 18 87	m #2.0 338.00	
E55		210 620 18 87	m #2.0 338.00	
*w/Necessary Bolted Parts & Assemblies Removed				
Illustration Located in Next Column				
27 Panel, Partition		210 626 03 76	61.00	
28 Seal, Partition Panel		210 628 00 98	14.50	
29 Moulding, Drip Wagon				
		R 210 628 02 69	4.50	
		L 210 628 01 69	4.20	
30 Insulation, Ctr Eng Compt		210 682 00 28	#.3 43.50	

**M-BENZ E-CLASS SED 00-02/ WGN 2000-03**

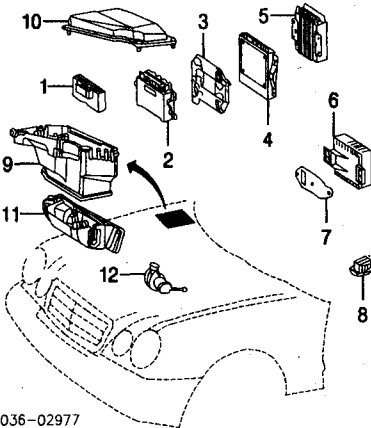
**FRONT INNER STRUCTURE Cont'd**



036-02976

31 Insulation, Firewall AWD	R 210 682 12 28		57.00
32 Insulation, Firewall	R 210 682 02 28	#.3	124.00
	L 210 682 30 28	#.3	135.00
<b>#w/Necessary Bolted Parts &amp; Assemblies Removed</b>			
33 Insulation, Firewall	R/L 210 682 11 28		2.40
34 Insulation, Upr Pillar	R/L 208 682 07 30		1.90
35 Insulation, Lwr Pillar	R/L 210 682 01 30		1.00

**ELECTRICAL COMPONENTS**

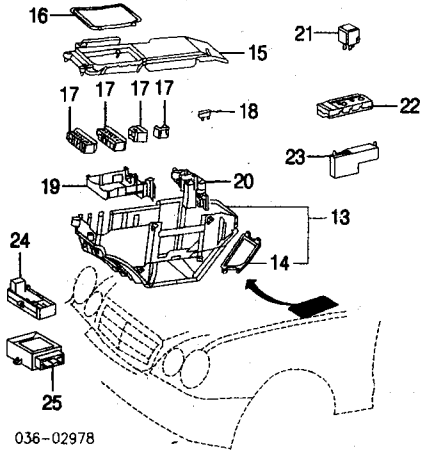


036-02977

1 Control Unit, ESP-See ABS/Brakes Section			
2 Control Unit, EGS			
E320, E430	030 545 23 32	m .5	398.00
E55			
To VIN B173367	021 545 88 32	m .5	740.00
From VIN B173368	027 545 12 32	m .5	685.00
<b>#Order by Application</b>			
3 Brkt, Control Unit	202 545 81 40		10.00
4 Control Unit, ADS	015 545 15 32	m .6	760.00
5 Control Unit, Engine			
E320	026 545 66 32	m .6	1460.00
E430	029 545 34 32	m .6	1316.70
E55			
To VIN B173367	026 545 31 32	m .6	1550.00
From VIN B173368	031 545 10 32	m .6	1720.00
6 Control Unit, Aux Fan			
E320	025 545 33 32	m .6	185.00
E430, E55	027 545 80 32	m .6	206.00
<b>#Order by Application</b>			
7 Brkt, Control Unit	210 540 09 73		8.50
8 Bracket, Plug	202 540 23 73		8.50
9 Case, Control Unit	210 540 18 24		68.00
10 Cover, Apparatus Case	210 540 08 82		31.00
11 Tray, Cable	210 540 08 67		157.00
12 Motor, Blower	210 545 04 95	m	177.00

Illustration Located in Next Column

13 Box Assy, Relay/Fuse	210 540 02 50	m	3.0	42.50
14 Gasket, Fuse Box	202 545 05 80			3.90
<b>#Included w/Relay/Fuse Box Assy</b>				
15 Cover, Relay/Fuse Box	210 540 06 82		.1	14.50
16 Cover, Fuse Box	210 545 15 03		.1	4.90
17 Block, Fuse				
No. 1	001 545 79 01	m		8.75



036-02978

No. 2	001 545 84 01	m	8.75
No. 3	001 545 78 01	m	3.90
No. 4	001 545 85 01	m	3.90
No. 5	001 545 80 01	m	6.00
18 Fuse	002 545 13 34	m	.50
<b>#Order by Application</b>			
19 Brkt, Diagnosis Box	210 545 33 40		6.00
20 Bracket, Relay	210 545 31 40		7.50
21 Relay	002 542 13 19	m .3	21.00
<b>#Order by Application</b>			
22 Box, Center Fuse			
Sedan	002 545 19 01	m	96.00
Wagon	002 545 27 01	m	110.00
23 Control Unit, SAM			
Sedan	019 545 56 32	m .9	290.00
Wagon	022 545 53 32	m .9	300.00
24 Relay Unit	000 540 00 72	m .3	75.00
25 Control Unit, Tire Pressure	001 820 61 26	m .4	0.00

**AIR BAG SYSTEM**

Use Procedure Explanation 30 with the following text.

NOTE 1: R&R Does Not include disable and enable or diagnose Air Bag System.

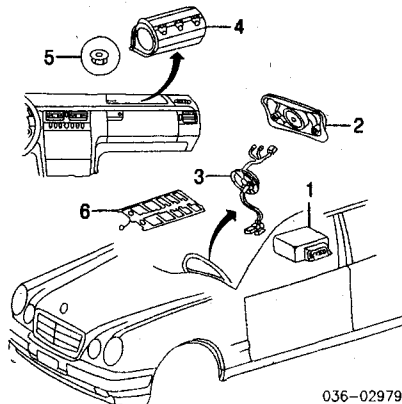
NOTE 2: Refer to Procedural Explanation 30 for Supplemental Restraint/Air Bag System Component Inspection and Replacement Information.

NOTE 3: Install new Side Air Bags only with the specified special rivets.

NOTE 4: For Air Bag System Service Procedures, refer to Manufacturer's Service Repair Manual or Mitchell's Air Bag Service and Repair Manual.

**FRONT**

Disable & Enable SRS System	m .5	
Diagnose Air Bag System (If Required)	m #.7	
<b>#Includes Disconnect &amp; Connect Scan Tool &amp; Retrieve/Clear Trouble Codes</b>		

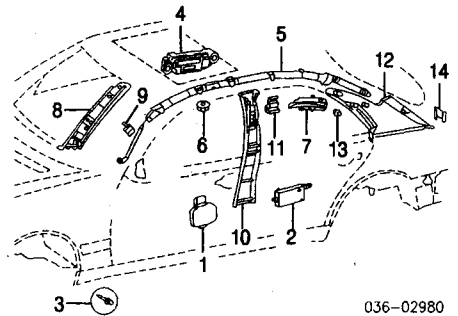


036-02979

1 Control Unit, SRS	002 820 21 26	m .8	350.00
2 Module, Driver Air Bag			
E320, E430	210 460 05 98	m .5	925.00
E55	210 460 08 98	m .5	1990.00
<b>#Order by Application</b>			
3 Clockspring, Air Bag	210 460 00 49	m 1.0	114.00
4 Module, Pass Air Bag	210 860 08 05	m 1.0	810.00
5 Nut, Air Bag (4)	913019 006000		1.40
6 Sensor, Passenger Seat	210 821 21 51	m #.8	129.00
<b>#w/Seat Assy Removed</b>			

**SIDE**

Disable & Enable SRS System	m .5	
Diagnose Air Bag System (If Required)	m #.7	
<b>#Includes Disconnect &amp; Connect Scan Tool &amp; Retrieve/Clear Trouble Codes</b>		



036-02980

1 Module, Frt Side Air Bag	R 210 860 12 05	m	#.5	260.00
	L 210 860 11 05	m	#.5	260.00
2 Module, Rear Side Air Bag	R 210 860 16 05	m	#.5	260.00
	L 210 860 15 05	m	#.5	260.00
<b>#w/Trim Panel Removed</b>				
3 Rivet, Side Air Bag				
Front (4/Side)	R/L 003 990 24 97			.50
Rear (3/Side)	R/L 003 990 24 97			.50
4 Control Unit				
Side Curtain Air Bag	R/L 001 820 56 26	m	.7	250.00
5 Module, Side Curtain Air Bag				
Sedan	R 210 860 10 05	m	#.7	478.00
	L 210 860 09 05	m	#.7	478.00
Wagon	R 210 860 14 05	m	#.7	478.00
	L 210 860 13 05	m	#.7	478.00
<b>#w/Headliner Removed</b>				
6 Nut, Air Bag				
Sedan (8/Side)	R/L 910112 006001			.40
Wagon (9/Side)	R/L 910112 006001			.40
7 Guide, Side Curtain Air Bag				
Sedan				
To VIN B111290	R 210 695 02 60			12.00
	L 210 695 01 60			12.00
From VIN B111291	R 210 695 16 60			12.00
	L 210 695 15 60			12.00
Wagon	R 210 695 08 60			12.00
	L 210 695 07 60			12.00

8 Midg, Inside Garnish-See Windshield Section				
9 Clip, Garnish (5/Side)	R/L 009 988 69 78			.50
10 Trim, Center Pillar-See Rocker/Pillars/Floor Section				
11 Clip, Center Trim (2/Side)	R/L 210 988 14 78			.70
12 Panel, Rear Trim				
Sedan				
2000				
To 11-1-00	R 210 690 38 40 8H20	#1.0		80.00
	L 210 690 37 40 8H20	#1.0		80.00
From 11-1-00	R 210 690 72 40 8H20	#1.0		80.00
	L 210 690 71 40 8H20	#1.0		80.00
2001-02	R 210 690 72 40 8H20	#1.0		80.00
	L 210 690 71 40 8H20	#1.0		80.00
Wagon	R 210 690 42 40 8H20	#1.0		130.00
	L 210 690 41 40 8H20	#1.0		130.00

<b>#Quartz listed, Order by Application</b>				
<b>#Includes R&amp;R Rear Seat Assy</b>				
13 Clip, Upper Trim (3/Side)				
Sedan	R/L 010 988 77 78			.50
Wagon	R/L 006 988 43 78			.50
14 Clip, Lower Trim				
Sedan	R/L 210 988 13 78			.50
Wagon	R/L 007 988 50 78			.50

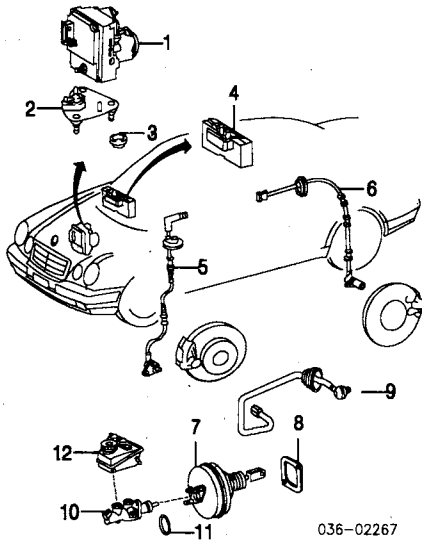
**ABS/BRAKES**

Bleed System	m .6	
--------------	------	--

NOTE: R&R Does Not include bleed brake system.

Illustration Located in Next Column

1 Hydro Unit, ASR	00-01 003 431 97 12	m	1.0	1260.00
	02-03 004 431 45 12	m	1.0	1620.00
<b>#Order by Application</b>				
2 Bracket, Hydro Unit	210 431 01 40			9.25
3 Grommet, Bracket (3)	604 094 00 85			2.20
4 Control Unit, ESP				
E320				
AWD	029 545 79 32	m .5		1190.00
RWD	029 545 76 32	m .5		1190.00
E430				
AWD	025 545 63 32	m .5		1133.35
RWD	029 545 78 32	m .5		1190.00
E55	029 545 78 32	m .5		1190.00
5 Sensor, Front Speed				
AWD	R 210 540 49 10	m .7		112.00
	L 210 540 48 10	m .7		112.00
RWD	R 210 540 91 08	m .7		124.00
	L 210 540 90 08	m .7		124.00
<b>#Order by Application</b>				



036-02267

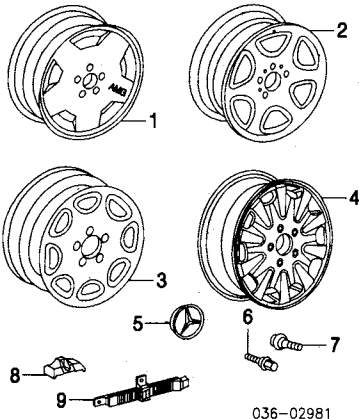
6 Sensor, Rear Speed	R 210 540 07 17	m .9	105.00
	L 210 540 06 17	m .9	105.00
7 Booster, Brake			
E320	005 430 43 30	m #3.1	550.00
E430			
AWD	005 430 44 30	m #3.1	550.00
RWD	005 430 43 30	m #3.1	550.00
E55	005 430 44 30	m #3.1	550.00
<i>#Includes R&amp;R Brake Master Cylinder</i>			
8 Gasket, Brake Booster	000 431 23 80	m	2.20
9 Line, Booster Vacuum			
E320, E430	210 430 32 29	m	44.50
E55	210 430 59 29	m	102.00
10 Cylinder, Brake Master			
E320	005 430 83 01	m #.9	286.00
E430			
AWD	005 430 88 01	m #.9	220.00
RWD	005 430 83 01	m #.9	286.00
E55	005 430 88 01	m #.9	220.00
<i>#Includes R&amp;R Master Cylinder Reservoir</i>			
11 Seal, Master Cylinder	001 431 26 60	m	3.00
12 Reservoir, Master Cylinder			
E320, E430	202 430 02 02	m	37.50
E55	000 430 11 02	m	44.50

**WHEEL**

Use Procedure Explanation 10 with the following text.

**ALLOY WHEEL**

Add to R&I Spare Wheel & Tire Assy.....	.2
---	----

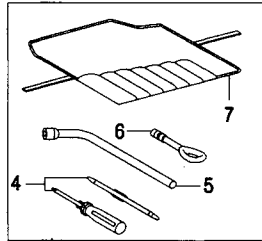


036-02981

<b>Wheel, Alloy</b>			
5 Spoke			
1 w/Sport Pkg			
Front (18x8")	WA 129 401 01 02	.3	0.00
Rear (18x9")	WA 210 401 02 02	.3	0.00
2 w/o Sport Pkg			
16x7-1/2"	210 401 19 02	.3	252.00
17x7-1/2"	210 401 20 02	.3	422.00
17x8"	210 401 15 02	.3	695.00
3 8 Spoke (16x7-1/2")			
Sedan	210 401 09 02	.3	414.00
Wagon	210 401 07 02	.3	0.00
4 10 Spoke (16x7-1/2")			
Sedan	210 401 17 02	.3	0.00
Wagon	210 401 12 02	.3	288.00

5 Cap, Hub			
2000	201 400 04 25	7.50	
2001			
To 12-1-01	201 400 04 25	7.50	
From 12-1-01	220 400 01 25	15.00	
2002-03	220 400 01 25	15.00	
6 Bolt, Lug	203 401 02 70	3.40	
7 Stem, Valve			
w/Tire Pressure Control	000 401 27 13	16.00	
w/o Tire Pressure Control	000 400 02 13	2.40	
8 Sensor, Tire Pressure			
Front	R/L 000 822 34 06	222.00	
Rear	R/L 000 822 34 06	222.00	
9 Antenna, Tire Pressure			
Front	R/L 001 827 40 01	83.00	
Rear	R/L 001 827 40 01	83.00	

**SPARE WHEEL & HARDWARE**



036-02982

1 Wheel, Spare	210 400 10 02	388.00
2 Jack	210 583 01 15	100.00
3 Tool Assy	210 580 04 03	73.00
4 Screwdriver	000 581 03 17	10.00
5 Wrench	120 581 02 46	11.50
6 Eye, Towing	220 628 01 35	22.00
7 Bag, Tool	202 585 01 01	10.00
<i>#Included w/Tool Assy</i>		

**FRONT SUSPENSION**

Use Procedure Explanation 11 with the following text.

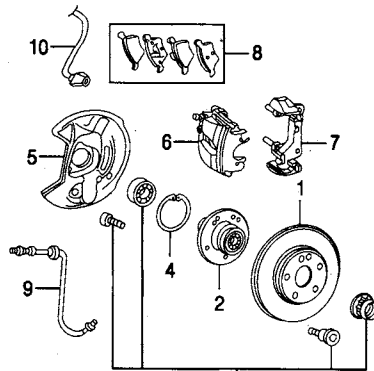
**AWD**

R&I Suspension (One Side).....	R/Lm 4.2
O/H Suspension (Includes R&I)	
One Side.....	R/Lm 7.4
Both Sides.....	m 12.2
Adjust Four Wheel Alignment.....	m 1.8
Adjust Front Alignment.....	m 1.3
Bleed Brake System.....	m .6

NOTE 1: Refer to Special Cautions section at the beginning of this vehicle text.

NOTE 1: R&I/R&R or O/H Does Not include alignment or bleed-brake system.

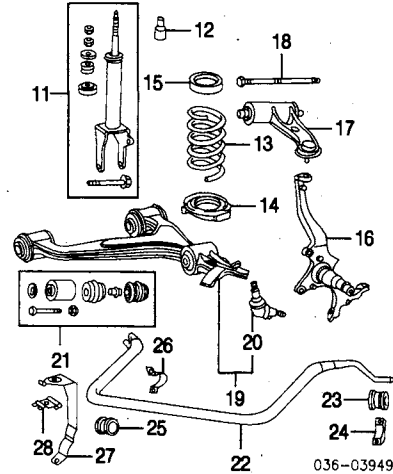
NOTE: All Parts in this section are included in overhaul unless noted otherwise.




036-02983

1 Rotor, Brake			
E320	R/L 210 421 22 12	m #.9	80.00
E430	R/L 210 421 23 12	m #.9	92.00
<i>#R&amp;R Both Sides 1.6</i>			
2 Hub, Wheel	R/L 210 337 02 45	m #1.8	187.00
3 Bearing Kit, Wheel	R/L 210 980 08 16	m #1.8	85.00
4 Ring, Lock	R/L 201 994 16 41	m #1.8	3.20
<i>#R&amp;R One Side Complete, R&amp;R Both Sides 3.4, Includes R&amp;R Rotor</i>			

5 Shield, Splash	R 210 421 28 20	m #2	16.50
	L 210 421 27 20	m #2	16.50
<i>#w/Hub Removed</i>			
6 Caliper, Brake			
E320	R 001 420 32 83	m #.5	152.00
	L 001 420 31 83	m #.5	152.00
E430	R 001 420 93 83	m #.5	490.00
	L 001 420 92 83	m #.5	490.00
	R/L 003 420 05 15	m #.5	109.00
7 Carrier, Caliper			
<i>#R&amp;R One Side Complete, R&amp;R Both Sides .8, w/Rotor Removed Deduct .3</i>			
8 Pad Set, Brake	003 420 29 20	m #1.0	76.00
<i>#Deduct .5 for Each Caliper Removed</i>			
9 Hose, Brake	R/L 210 428 05 35	m #.3	29.50
<i>#w/Caliper Removed Deduct .2</i>			
10 Sensor, Front Speed-See ABS/Brakes Section			



036-03949

11 Absorber, Shock	R/L 210 320 36 30	m #1.6	216.00
12 Cap, Dust	R/L 170 323 01 38	m #1.6	1.40
13 Spring, Coil	R/L 210 321 33 04	m #1.6	79.00
<i>#Order by Application</i>			
14 Case, Spring	R/L 210 322 03 15	m #1.6	53.00
15 Seat, Spring	R/L 210 321 03 84	m #1.6	6.75
<i>#Order by Application</i>			
<i>#R&amp;R One Side Complete, R&amp;R Both Sides 2.8</i>			
16 Knuckle, Steering	R 210 330 26 20	m #3.6	780.00
	L 210 330 25 20	m #3.6	780.00
<i>#Includes R&amp;R Rotor, Bearings, Hub &amp; Splash Shield, R&amp;R Both Sides 7.0</i>			
17 Arm, Upper Control	R 210 330 41 07	m #1.5	180.00
	L 210 330 39 07	m #.9	180.00
<i>#w/Knuckle Removed Deduct .5</i>			
18 Bolt, Control Arm	R/L 202 990 31 01	m	4.20
19 Arm Assy, Lower Control			
w/Xenon H/Lamps	R 210 330 69 07	m #1.9	414.00
	L 210 330 37 07	m #1.9	414.00
w/o Xenon H/Lamps	R 210 330 38 07	m #1.9	414.00
	L 210 330 37 07	m #1.9	414.00
<i>#w/Knuckle Removed Deduct .8</i>			
20 Joint, Lower Ball	R/L 210 330 00 35	m #1.0	48.50
<i>#Included w/Lower Control Arm Assy</i>			
<i>#Not Included in O/H</i>			
21 Bushing Kit	R/L 210 330 05 75	m	127.00
22 Bar, Stabilizer	R/L 124 323 48 85	m #1.3	222.00
<i>#Includes R&amp;R Bushings, Brackets &amp; Links, Not Included in O/H, Deduct .4 for Each Lower Control Arm Removed</i>			
23 Bushing, Bar Outer	R/L 124 323 49 85	m #.4	8.00
24 Brkt, Bar Outer	R/L 201 323 23 40	m #.4	2.50
25 Bushing, Bar Inner	R/L 129 323 01 85	m #.4	9.75
26 Brkt, Bar Inner	R/L 210 323 08 26	m #.4	0.00
27 Link, Bar	R 210 323 22 40	m #.4	18.50
	L 210 323 21 40	m #.4	18.50
28 Plate, Link/Cont Arm	R/L 124 323 00 25	m #.4	3.20
<i>#R&amp;R One Side Complete; Not Included in O/H</i>			
			
29 Sensor, Turning Angle	R/L 010 542 77 17	m #.8	124.00
30 Rod, Sensor/Control Arm	R/L 210 320 42 89	m #.8	39.50
31 Brkt, Sensor	R/L 210 327 08 40	m #.8	12.50
<i>#R&amp;R Complete, Not Included in O/H</i>			

**RWD**

R&I Suspension (One Side).....	R/Lm 2.7
--------------------------------	----------

# M-BENZ E-CLASS SED 00-02/ WGN 2000-03

## FRONT SUSPENSION Cont'd

### RWD Cont'd

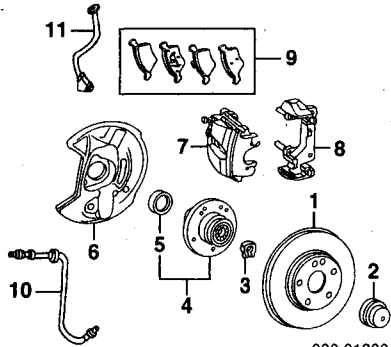
O/H Suspension (Includes R&L)

One Side.....	R/Lm	4.4
Both Sides.....	m	7.2
Adjust Four Wheel Alignment.....	m	1.8
Adjust Front Alignment.....	m	1.3
Bleed Brake System.....	m	.6

**NOTE 1:** Refer to Special Cautions section at the beginning of this vehicle text.

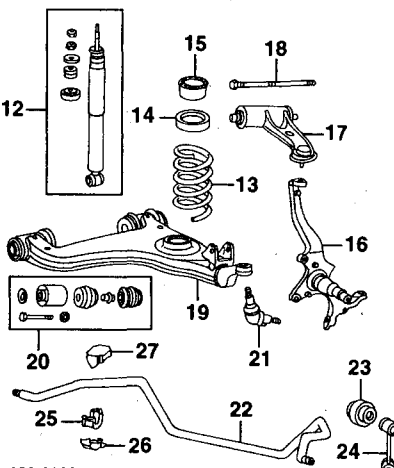
**NOTE 2:** R&L/R&R or O/H Does Not include alignment or bleed brake system.

**NOTE 3:** All Parts in this section are included in overhaul unless noted otherwise.



036-01836

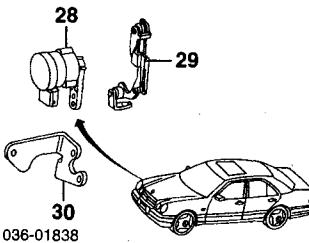
<b>1 Rotor, Brake</b> E320, E430 E55	R/L 210 421 22 12 R 210 421 19 12 L 210 421 18 12	m #9	80.00
<b>#R&amp;R Both Sides 1.6</b>			
<b>2 Cap, Hub</b>	R/L 210 357 02 89	m	270.00
<b>3 Nut, Lock</b>	R/L 116 334 03 72	m	23.50
<b>4 Hub Assy, Wheel</b>	R/L 210 330 03 25	m #1.8	210.00
<b>5 Seal, Grease<sup>†</sup></b>	R/L 019 997 88 47	m #1.8	15.00
<b>†Included w/Wheel Hub Assy</b>			
<b>#R&amp;R One Side Complete, Both Sides 3.4, Includes R&amp;R Rotor</b>			
<b>6 Shield, Splash</b> E320, E430 E55	R 210 421 28 20 L 210 421 27 20 R 210 421 25 20 L 210 421 24 20	m #2	16.50
<b>#w/Hub Removed</b>			
<b>7 Caliper, Brake</b> E320, E430 E55	R 001 420 32 83 L 001 420 31 83 R WA 210 421 02 98 L WA 210 421 01 98	m #5	152.00
<b>#w/Hub Removed</b>			
<b>8 Carrier, Caliper</b> E320, E430 E55	R/L 003 420 05 15 WA 210 420 01 20	m #5	109.00
<b>#R&amp;R One Side Complete, Both Sides .8, w/Rotor Removed Deduct .3</b>			
<b>9 Pad Set, Brake</b> E320, E430 E55	003 420 29 20 WA 210 420 01 20	m #1.0	76.00
<b>#Deduct .5 for Each Caliper Removed</b>			
<b>10 Hose, Brake</b>	R/L 202 428 07 35	m #3	27.50
<b>#w/Caliper Removed Deduct .2</b>			
<b>11 Sensor, Front Speed-See ABS/Brakes Section</b>			



036-01837

12 Absorber, Shock

E320 Sedan	R/L 210 320 09 30	m #1.1	139.00
Wagon	R/L 210 320 33 30	m #1.1	160.00
E430 Std Susp	R/L 210 320 09 30	m #1.1	139.00
Sport Susp	R/L 210 320 33 30	m #1.1	160.00
E55	R/L 210 320 24 30	m #1.1	344.00
<b>13 Spring, Coil</b>	R/L 210 321 28 04	m #1.1	64.00
<b>14 Seat, Spring</b>	R/L 210 321 04 84	m #1.1	8.00
<b>†Order by Application</b>			
<b>#R&amp;R One Side Complete, R&amp;R Both Sides 2.0</b>			
<b>15 Brace, Upper</b>	R/L 210 321 02 95	m	3.90
<b>16 Knuckle, Steering</b>	R 210 330 01 20 L 210 330 00 20	m #2.4	364.00
<b>#Includes R&amp;R Rotor, Bearings, Hub &amp; Splash Shield, R&amp;R Both Sides 4.6</b>			
<b>17 Arm, Upper Control</b>	R 210 330 88 07 L 210 330 87 07	m #1.5	189.00
<b>#w/Knuckle Removed Deduct .5</b>			
<b>18 Bolt, Control Arm</b>	R/L 202 990 31 01	m	4.20
<b>19 Arm, Lower Control</b>	R 210 330 77 07 L 210 330 76 07	m #1.3	354.00
<b>#w/Knuckle Removed Deduct .3</b>			
<b>20 Bushing Kit</b>	R/L 210 330 04 75	m	71.00
<b>21 Joint, Lower Ball</b>	R/L 210 330 00 35	m #1.0	48.50
<b>#Not Included in O/H</b>			
<b>22 Bar, Stabilizer</b> E320 Sedan Wagon E430 Std Susp Sport Susp E55	210 323 45 65 210 323 46 65 210 323 45 65 210 323 46 65 210 323 55 65	m #1.3	105.00
<b>#Includes R&amp;R Bushings, Brackets &amp; Links, Not Included in O/H, Deduct .4 for Each Lower Control Arm Removed</b>			
<b>23 Bushing, Bar Outer</b> E320 Sedan Wagon E430 Std Susp Sport Susp E55	R/L 210 323 14 85 R/L 210 323 15 85 R/L 210 323 14 85 R/L 210 323 15 85 R/L 210 323 17 85	m #4	7.00
<b>†Order by Application</b>			
<b>24 Link, Stabilizer</b>	R 210 320 37 89 L 210 320 36 89	m #4	16.00
<b>25 Brrt, Stabilizer Bar</b>	R/L 210 323 04 40	m #4	4.90
<b>26 Plate, Screening</b>	R/L 210 323 11 90	m #4	17.50
<b>27 Shim, Frame</b>	R/L 210 323 00 84	m #4	1.90
<b>#R&amp;R One Side Complete, Not Included in O/H</b>			



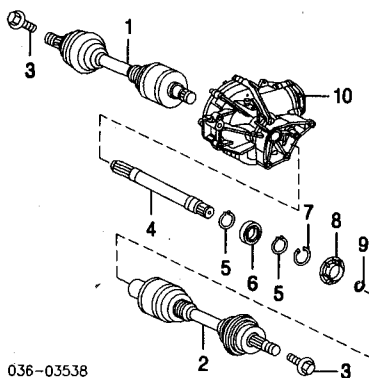
036-01838

<b>28 Sensor, Turning Angle</b>	R/L 010 542 77 17	m #6	124.00
<b>29 Rod, Sensor/Control Arm</b>	R/L 210 320 30 89	m #6	31.00
<b>30 Brrt, Sensor</b>	R/L 210 327 05 40	m #6	3.90
<b>#R&amp;R One Side Complete, Not Included in O/H</b>			

## FRONT DRIVE AXLE

R&L Axle Shaft Assy.....	R/Lm	#1.8
<b>#w/Knuckle Removed Deduct 1.5</b>		

**NOTE:** All Parts in this section are included in overhaul unless noted otherwise.



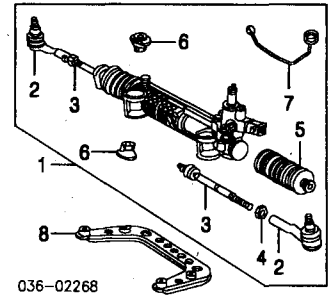
036-03538

<b>1 Shaft, Right Axle</b>	210 330 10 01	m #1.8	1100.00
<b>2 Shaft, Left Axle</b>	210 330 09 01	m #1.8	1100.00
<b>#w/Knuckle Removed Deduct 1.5</b>			
<b>3 Bolt, Axle</b>	R/L 203 990 00 03	m	4.00

<b>4 Shaft, Intermediate</b>	104 031 00 05	m #2.6	129.00
<b>†w/Axle Shaft Removed</b>			
<b>5 Ring, Lock</b>	R/L 900055 030301	m	1.50
<b>6 Brg, Intermediate Shaft</b>	112 980 01 15	m	30.00
<b>7 Ring, Lock</b>	000472 055000	m	2.00
<b>8 Ring, Protective</b>	210 334 00 19	m	2.00
<b>9 Ring, Snap</b>	112 994 09 35	m	1.40
<b>10 Housing, Axle</b>	E320 E430	210 330 00 02 210 330 01 02	m #9.2 2620.00 m #9.2 2790.00
<b>#Includes R&amp;R Left &amp; Right Axle Shafts</b>			

## FRONT STEERING LINKAGE/GEAR

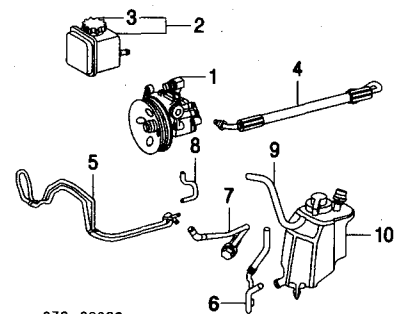
**NOTE:** R&R Does Not include adjust wheel alignment.



036-02268

<b>1 Gear Assy</b> AWD			
w/Parametric Strg	210 460 39 00	m #2.4	2950.00
w/o Parametric Strg	210 460 24 00	m #2.4	1650.00
<b>RWD<sup>†</sup></b>			
w/Parametric Strg			
Std Susp 2000			
To 7-21-00	210 460 43 00	m #2.4	1650.00
From 7-21-00	210 460 25 00	m #2.4	2840.00
2001-03	210 460 25 00	m #2.4	2840.00
Sport Susp			
To VIN B081644	210 460 31 00	m #2.4	2840.00
From VIN B081645	210 460 45 00	m #2.4	2840.00
w/o Parametric Strg	210 460 42 00	m #2.4	2370.00
<b>†Order by Application</b>			
<b>#w/Engine Crossmember Removed Deduct 1.8</b>			
<b>2 End, Tie Rod<sup>†</sup></b> AWD	R 210 338 10 15 L 210 338 09 15	m #3	84.00
RWD	R 210 338 06 15 L 210 338 05 15	m #3	84.00
<b>#Includes R&amp;R Tie Rod End</b>			
<b>3 Rod, Inner Tie<sup>†</sup></b> AWD	R/L 210 338 11 15	m #6	68.00
RWD	R/L 210 338 04 15	m #6	70.00
<b>#Includes R&amp;R Tie Rod End</b>			
<b>4 Nut, Tie Rod<sup>†</sup></b>	R/L 308673 014001	m	1.90
<b>5 Boot Kit<sup>†</sup></b>	R/L 210 460 23 00	m #6	35.00
<b>#Includes R&amp;R Inner Tie Rod &amp; Tie Rod End</b>			
<b>6 Mount, Rubber<sup>†</sup> (2/Side)</b>	R/L 210 463 10 66	m	8.00
<b>7 Line, Cooling<sup>†</sup></b>	210 460 10 24	m	30.00
<b>†Included w/Gear Assy</b>			
<b>8 Plate, Gear Mounting</b> AWD	210 463 05 86	m	53.00
RWD	210 463 04 86	m	28.50

## STEERING PUMP



036-02986

<b>1 Pump, Steering</b>	002 466 32 01	m 1.3	700.00
<b>2 Reservoir Assy, Oil</b>	000 460 01 83	m	27.50
<b>3 Cap, Reservoir<sup>†</sup></b>	000 466 09 68	m	7.75
<b>†Included w/Oil Reservoir Assy</b>			
<b>Belt, Drive-Sea Cooling Section</b>			
<b>4 Hose, Pressure</b> E320 AWD	210 460 15 24 210 466 10 81	m 1.0	90.00
RWD		m 1.0	84.00
E430 AWD	210 460 20 24 210 466 11 81	m 1.0	94.00
RWD		m 1.0	84.00
E55	210 466 11 81	m 1.0	84.00
<b>5 Line, Cooling Pipe</b>			



# M-BENZ E-CLASS SED 00-02/ WGN 2000-03

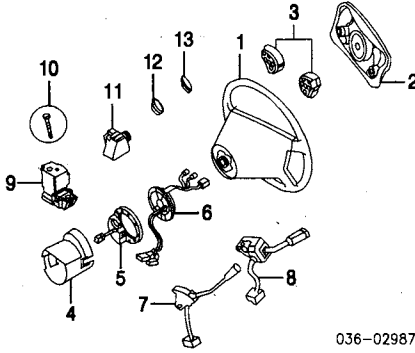
Sedan	210 466 26 24	m	1.8	99.00
Wagon	210 466 27 24	m	1.8	99.00
6 Line, Resv to Pump Suction				
Wagon	210 466 25 24	m	.6	61.00
7 Hose, Gear to Cooling Pipe				
Sedan				
AWD	210 460 17 24	m	.6	37.50
RWD	210 997 24 82	m	.6	42.00
Wagon	210 997 25 82	m	.6	61.00
8 Hose, Cooling Pipe to Pump				
E320				
Sedan	210 997 23 82	m	.6	10.00
E430, E55	210 997 32 82	m	.6	13.00
9 Hose, Cooling Pipe to Resv				
Wagon	210 997 53 82	m	.6	29.50
10 Reservoir, Oil-See Rear Suspension Section				

## STEERING WHEEL/COLUMN

NOTE 1: Refer to Special Cautions section at the beginning of this vehicle text.

NOTE 2: All Parts in this section are included in overhaul unless noted otherwise.

### WHEEL & TRIM



036-02987

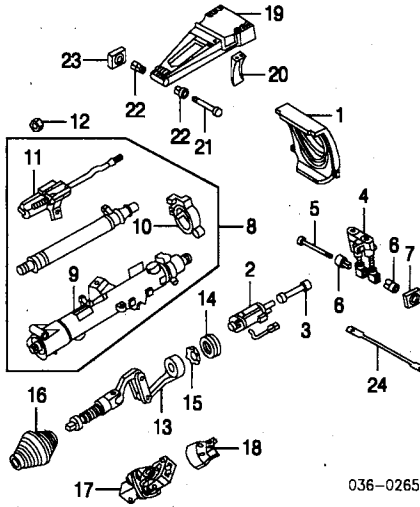
1 Wheel, Steering				
E320, E430				
Avantgarde Pkg, Elegance Pkg	210 460 02 03	m	#.8	1170.00
Designo Pkg	210 460 12 03	m	#.8	3270.00
E55				
Avantgarde Pkg	210 460 14 03	m	#.8	1840.00
Designo Pkg	208 460 00 03	m	#.8	2150.00
*Order by Application				
#Includes R&R Air Bag				
2 Module, Driver Air Bag-See Air Bag System Section				
3 Switch, Touch Control	210 821 25 51	m		230.00
4 Cover, Column	210 462 10 23	m		10.50
*Order by Application				
5 Sensor, Lock Angle	002 542 65 18	m		266.00
6 Clockspring, Air Bag-See Air Bag System Section				
7 Switch, Cruise Control	210 545 02 24	m	#1.1	112.00
8 Switch, Turn Signal	210 545 01 10	m	#1.3	78.00
9 Lock, Steering	208 462 04 30	m	#2.1	174.00
#Includes R&R Steering Wheel, Clockspring, Plate & Air Bag				
10 Screw, Lock/Column	208 462 02 71	m		5.75
11 Transponder, Ignition Key	210 545 03 08	m	.6	444.00
12 Spacer, Cylinder Cover	210 689 00 36	m		2.20
13 Cover, Cylinder Lock	208 680 04 65	m		4.70

### COLUMN

R&I Steering Column	m	3.8
O/H Steering Column (Includes R&I)	m	4.6

Illustration Located in Next Column

1 Cover, Column	210 460 01 95	m		27.50
*Order by Application				
2 Motor, Height Adjust	220 540 02 88	m		120.00
3 Coupler, Motor	220 462 02 78	m		3.00
4 Brkt, Gearing	210 460 01 25	m		420.00
5 Pin	220 462 07 74	m		3.50
6 Bushing, Pin (2)	220 462 00 50	m		1.90
7 Nut, Pin (2)	168 462 03 72	m		5.25
8 Jacket Assy, Column				
AWD	210 460 46 16	m		1600.00
RWD	210 460 39 16	m		1350.00
9 Jacket, Column (a)				
AWD	210 460 72 16	m		685.00
RWD	210 460 71 16	m		685.00
(a) Upper Strg Shaft Included w/Column Jacket				
10 Brkt, Signal Switch	210 462 19 39	m		22.50
11 Gear, Column Adjust	220 460 07 25	m		420.00
*Included w/Column Jacket Assy				
12 Nut, Gear	910113 005000	m		0.00
13 Shaft, Lower Strg				
AWD	210 460 24 09	m	1.2	280.00
RWD	210 460 29 09	m	1.2	280.00
14 Nut, Shaft	140 462 03 72	m		8.00
15 Lock, Shaft	210 462 00 73	m		1.90



036-02656

16 Boot, Lower				
AWD	210 462 09 96	m		16.50
RWD	210 462 08 96	m		11.50
17 Coupling, Lower				
Sedan	210 460 02 10	m		204.00
Wagon	210 460 04 10	m		196.00
*Order by Application				
18 Cover, Coupling (2)	210 462 04 95	m		7.50
19 Brkt, Column Upper	210 462 02 05	m		75.00
20 Support, Brkt	220 462 02 39	m		5.25
21 Pin, Upper Brkt	220 462 05 74	m		2.90
22 Bushing, Upper Pin (2)	220 462 01 50	m		1.90
23 Nut, Lock	168 462 03 72	m		5.25
24 Tube, Spacer	210 460 04 22	m		30.00

## ENGINE/TRANS

Use Procedure Explanation 12 with the following text.

### E320

R&I Engine Assy				
RWD	m	8.6		
AWD	m	9.3		

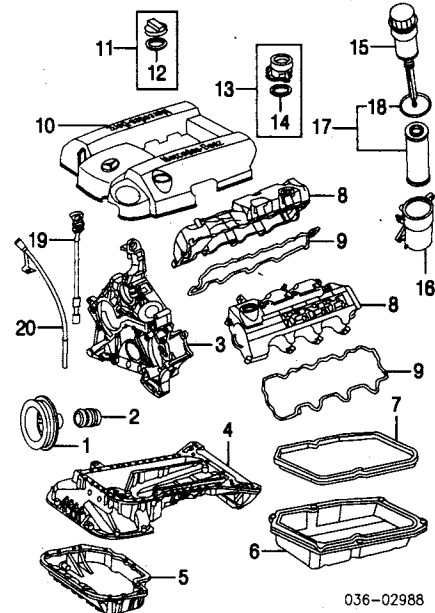
036-02988

1 Damper, Vibration	112 035 06 00	m	1.0	80.00
2 Gear, Crankshaft	112 052 02 03	m		95.00
3 Cover, Timing	112 010 06 33	m	#13.1	316.00
4 Pan, Up Eng Oil				
AWD	104 014 16 02	m	#13.0	350.00
RWD	112 014 07 02	m	#10.2	240.00
#Includes R&I Engine				
5 Pan, Lower Eng Oil	112 010 06 28	m	#1.2	100.00
#Included in R&R Upper Oil Pan				
6 Pan, Trans Oil	140 270 08 12	m	1.0	70.00
7 Gskt, Trans Oil	140 271 00 80	m		11.00
8 Cover, Valve	R 113 010 04 30	m	1.8	208.00
	L 112 010 02 30	m	1.8	185.00

9 Gskt, Valve Cover	R 112 016 03 21	m		17.00
	L 112 016 02 21	m		17.00
10 Shield, Valve Cover				
To Eng 033140	112 010 00 67			82.00
From Eng 033141	112 010 01 67			82.00
11 Cap Assy, Oil Filler	111 018 03 02			6.25
12 Gasket, Oil Filler Cap	111 018 00 80			2.50
#Included w/Oil Filler Cap Assy				
13 Neck Assy, Oil Filler	112 010 00 64			12.50
14 Gasket, Oil Filler Neck	111 018 00 80			2.50
#Included w/Oil Filler Neck Assy				
15 Cap, Oil Filter Housing	112 180 01 10			40.50
16 Housing, Oil Filter	112 184 01 02	m		60.00
17 Filter Assy, Oil	112 180 00 09	m		49.00
18 Seal, Oil Filter	025 997 66 48	m		2.40
#Included w/Oil Filter Assy				
19 Dipstick, Eng Oil	112 010 03 72			16.00
20 Tube, Eng Dipstick	112 010 02 66		.5	47.50

### E430

R&I Engine Assy	m	12.8
-----------------	---	------



036-02988

1 Damper, Vibration	112 035 06 00	m	3.3	80.00
2 Gear, Crankshaft	112 052 02 03	m		95.00
3 Cover, Timing	112 010 07 33	m	#19.4	266.00
#Includes R&I Engine Assy				
4 Pan, Up Eng Oil				
AWD	113 014 04 02	m	#16.0	310.00
RWD	113 014 01 02	m	#13.5	240.00
#Includes R&I Engine & R&R Lower Eng Oil Pan				
5 Pan, Lower Eng Oil	112 010 06 28	m	1.6	100.00
6 Pan, Trans Oil	140 270 08 12	m	1.0	70.00
7 Gskt, Trans Oil Pan	140 271 00 80	m		11.00
8 Cover, Valve	R 113 010 01 30	m	#2.4	258.00
	L 113 010 00 30	m	#2.4	270.00
#R&R Both 3.8				
9 Gskt, Valve Cover	R 113 016 03 21	m		18.50
	L 113 016 02 21	m		18.50
10 Shield, Valve Cover	113 010 01 67			90.00
11 Cap Assy, Oil Filler	111 018 03 02			6.25
12 Gasket, Oil Filler Cap	111 018 00 80			2.50
#Included w/Oil Filler Cap Assy				
13 Neck Assy, Oil Filler	112 010 00 64			12.50
14 Gasket, Oil Filler Neck	111 018 00 80			2.50
#Included w/Oil Filler Neck Assy				
15 Cap, Oil Filter Housing	112 180 01 10			40.50
16 Housing, Oil Filter	112 184 01 02	m		60.00
17 Filter Assy, Oil	112 180 00 09	m		49.00
18 Seal, Oil Filter	025 997 66 48	m		2.40
#Included w/Oil Filter Assy				
19 Dipstick, Eng Oil	113 010 00 72			16.00
20 Tube, Eng Dipstick	112 010 02 66		.5	47.50

### E55

R&I Engine Assy	m	12.8
-----------------	---	------

Illustration Located in Next Column

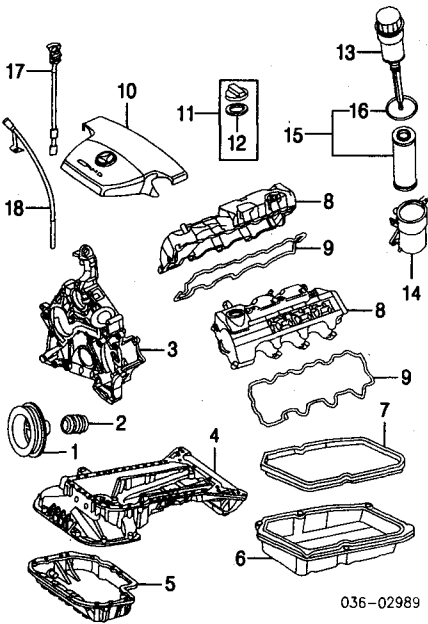
1 Damper, Vibration	113 035 00 00	m	3.3	450.00
2 Gear, Crankshaft	112 052 02 03	m		95.00
3 Cover, Timing	112 010 06 33	m	#19.4	316.00
#Includes R&I Engine Assy				
4 Pan, Up Eng Oil	113 014 01 02	m	#13.5	240.00
#Includes R&I Engine, R&R Lower Eng Oil Pan				
5 Pan, Lower Eng Oil	112 010 06 28	m	1.6	100.00



# M-BENZ E-CLASS SED 00-02/ WGN 2000-03

## ENGINE/TRANS Cont'd

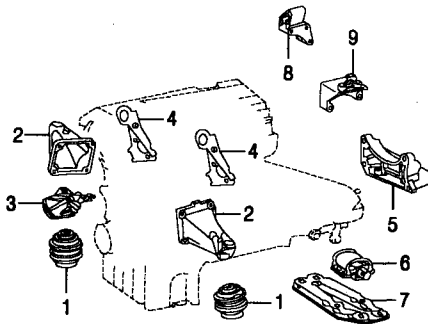
### E55 Cont'd



036-02989

6 Pan, Trans Oil	140 270 08 12	m	1.0	70.00
7 Gskt, Trans Oil Pan	140 271 00 80	m		11.00
8 Cover, Valve	R 113 010 04 30	m	#2.4	270.00
	L 113 010 00 30	m	#2.4	270.00
<b>#R&amp;R Both 3.8</b>				
9 Gskt, Valve Cover	R 113 016 03 21	m		18.50
	L 113 016 02 21	m		18.50
10 Shield, Valve Cover	113 010 05 67			102.00
11 Cap Assy, Oil Filter	111 018 03 02			6.25
12 Gasket, Oil Filter Cap	111 018 00 80			2.50
<i>#Included w/Oil Filter Cap Assy</i>				
13 Cap, Oil Filter Housing	112 180 01 10			40.50
14 Housing, Oil Filter	112 184 01 02	m		60.00
15 Filter Assy, Oil	112 180 00 09			09.00
16 Seal, Oil Filter	025 997 66 48	m		2.40
<i>#Included w/Oil Filter Assy</i>				
17 Dipstick, Eng Oil	113 010 04 72			16.00
18 Tube, Eng Dipstick	112 010 02 66		.5	47.50

## ENGINE/TRANS MOUNTS

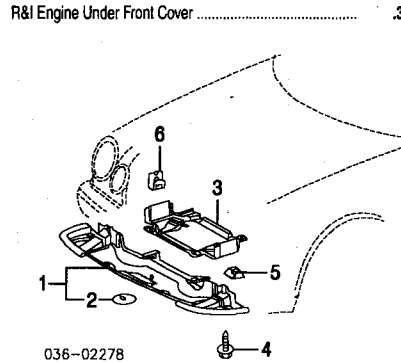


036-02277

<b>1 Mount, Front</b>				
<b>E320</b>				
AWD	R 202 240 27 17		#.9	118.00
	L 210 240 18 17		#.9	99.00
RWD	R/L 202 240 49 17		#.9	54.00
<b>E430</b>				
AWD	R 210 240 22 17		#.9	99.00
	L 210 240 21 17		#.9	99.00
RWD	R/L 202 240 49 17		#.9	54.00
E55	R/L 202 240 49 17		#.9	54.00
<b>#R&amp;R Both Sides 1.6</b>				
<b>2 Bracket, Front Mount</b>				
<b>E320</b>				
AWD	R 113 223 17 04		#.2	157.00
	L 104 223 17 04		#.2	167.00
RWD	R 112 223 15 04		#.2	97.00
	L 112 223 14 04		#.2	107.00
<b>E430</b>				
AWD	R 113 223 17 04		#.2	157.00
	L 113 223 13 04		#.2	139.00

RWD	R 112 223 15 04	#.2	97.00
	L 113 223 00 04	#.2	112.00
	R 112 223 15 04	#.2	97.00
	L 113 223 00 04	#.2	112.00
<b>#w/Mount Removed</b>			
<b>3 Shield, Heat</b>			
AWD	L 210 241 06 34		13.50
RWD	R 210 241 18 34		8.25
	L 210 241 19 34		8.25
<b>4 Brkt, Suspension Eye</b>			
E320	R 112 223 02 41		4.70
	L 112 223 01 41		4.70
E430, E55	R 112 223 03 41		5.50
	L 112 223 04 41		5.50
<b>5 Brkt, Rear Trans</b>			
AWD	R 210 240 03 02		17.50
	L 210 240 02 02		17.50
	140 242 13 40		15.00
<b>6 Mount, Rear</b>			
AWD	210 240 06 18		.8
RWD	220 240 02 18		.8
<b>7 Support, Rear Mount</b>			
AWD	210 240 01 02	#.3	52.00
RWD	210 242 12 01	#.3	22.00
<b>#w/Mount Removed</b>			
<b>8 Bracket, Trans</b>			
AWD	104 223 00 40		28.50
<b>9 Strut, Trans Bracket</b>			
AWD	104 223 00 38		22.00

## ENGINE UNDER COVER

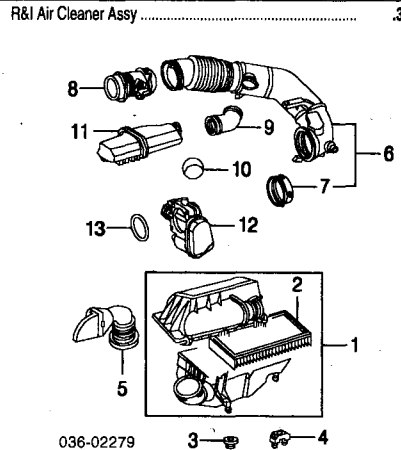


036-02278

R&I Engine Under Front Cover			.3
<b>1 Cover Assy, Engine Under Front</b>			
AWD	210 520 09 22		.3
RWD	210 520 07 22		.3
	210 988 00 42		.70
<i>#Included w/Engine Under Front Cover Assy</i>			
<b>2 Fastener, Cover (4)</b>			
<i>#Included w/Engine Under Front Cover Assy</i>			
<b>3 Cover, Under Engine Center</b>			
AWD	210 524 30 30		.3
RWD	210 524 24 30		.3
Sedan	210 524 24 30		.3
<i>Wagon-Not Serviced</i>			
<b>4 Screw, Engine Cover (1)</b>			
	001 990 60 36		2.20
<b>5 Clip, Panel (1)</b>			
	001 994 98 45		.90
<i>#As Required</i>			
<b>6 Clip, Lock (2)</b>			
	002 994 80 45		1.50

## AIR CLEANER

### E320, E430

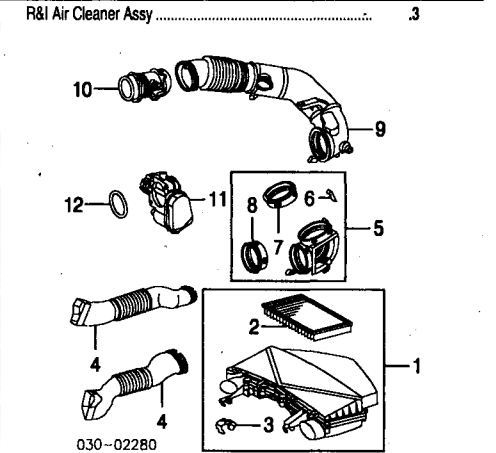


036-02279

R&I Air Cleaner Assy			.3
<b>1 Cleaner Assy, Air</b>			
	112 090 08 01		.3
<b>2 Element, Cleaner (1)</b>			
	112 094 02 04		.3
<i>#Included w/Air Cleaner Assy</i>			
<b>3 Mount, Rubber</b>			
R/L	604 094 02 85		2.20
<b>4 Mount, Rear Lower</b>			
	604 094 03 85		2.20
<b>5 Duct, Air Intake</b>			
E320	210 528 07 04		.2
E430	112 140 03 12		.2
<b>6 Pipe Assy, Intake</b>			

<b>7 Gasket, Intake Pipe (1)</b>			
	112 141 18 80		3.20
<i>#Included w/Intake Pipe Assy</i>			
<b>8 Meter, Air Flow</b>			
E320	112 094 00 48	m	.5
E430	113 094 00 48	m	.5
<b>9 Hose, Intake Pipe</b>			
E320	112 141 00 83		2
E430	112 141 00 81		2.40
<b>11 Damper</b>			
E320	112 140 00 87	m	.7
<b>12 Actuator, Elec Gas</b>			
E320	00 112 141 00 25	m	.7
	01-03 112 141 01 25	m	.7
	00 113 141 00 25	m	.7
	01-02 113 141 01 25	m	.7
E430	305 997 03 45		9.25
<b>13 Seal, Actuator</b>			

### E55

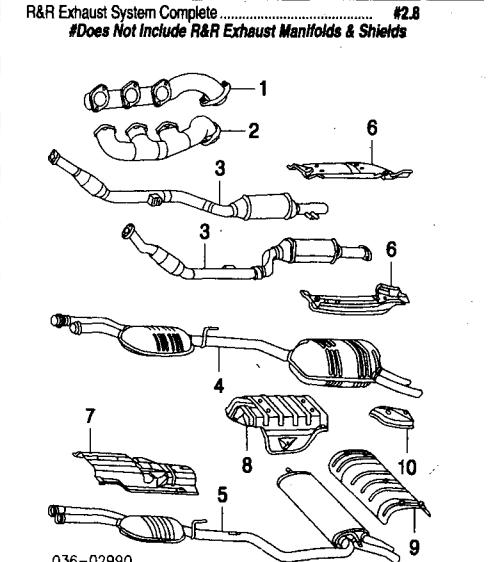


030-02280

R&I Air Cleaner Assy			.3
<b>1 Cleaner Assy, Air</b>			
	113 090 01 01		.3
<b>2 Element, Cleaner (1)</b>			
	WA 104 094 01 04		.3
<b>3 Clip, Spring (4)</b>			
	112 094 00 41		2.20
<i>#Included w/Air Cleaner Assy</i>			
<b>4 Duct, Air Intake</b>			
R	113 094 15 82		.4
L	113 094 06 82		.4
<b>5 Housing Assy, Intake Pipe</b>			
	112 140 01 18		27.50
<b>6 Bracket, Housing (1)</b>			
	112 141 01 40		2.20
<b>7 Gasket, Housing Upper (1)</b>			
	112 141 17 80		2.00
<b>8 Gasket, Housing Lower (1)</b>			
	112 141 18 80		3.20
<i>#Included w/Intake Pipe Housing Assy</i>			
<b>9 Pipe, Intake</b>			
	N.A.		.3
<b>10 Meter, Air Flow</b>			
	113 094 00 48	m	.5
<b>11 Actuator, Elec Gas</b>			
	00 113 141 00 25	m	1.0
	01-02 113 141 01 25	m	1.0
E430	305 997 03 45		9.25
<b>12 Seal, Actuator</b>			

## EXHAUST

### E320



036-02990

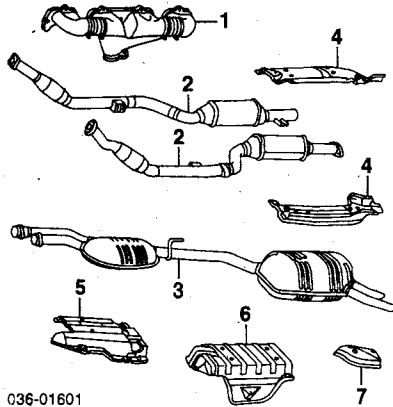
R&R Exhaust System Complete			#2.8
<i>#Does Not Include R&amp;R Exhaust Manifolds &amp; Shields</i>			
<b>Manifold, Exhaust</b>			
<b>1 Cyl 1-3</b>			
	112 140 00 09	m	#3.1
<b>2 Cyl 4-6</b>			
	112 140 01 09	m	#3.1
<i>#R&amp;R Both Sides 4.9</i>			
<b>Gasket, Manifold (6)</b>			
	112 142 01 80		2.20
<b>3 Pipe, Front Exhaust</b>			

# M-BENZ E-CLASS SED 00-02/ WGN 2000-03

AWD	R 210 490 18 47	1.8	1450.00
	L 210 490 19 47	1.8	1450.00
RWD	R 210 490 80 20	1.5	650.00
	L 210 490 79 20	1.2	600.00
<b>Muffler &amp; Pipe, Center/Rear</b>			
4 Sedan	210 490 36 21	1.0	520.00
5 Wagon	210 490 34 21	1.0	480.00
<b>Shield, Frt Heat</b>			
AWD	R 210 682 24 71		39.50
	L 210 682 15 71		15.00
RWD	R 210 682 03 71		42.00
	L 210 682 15 71		15.00
<b>7 Shield, Center Heat</b>	210 682 00 71		44.50
<b>Shield, Rear Heat</b>			
8 Sedan	210 682 02 71		44.50
9 Wagon	210 682 10 71		42.00
<b>10 Shield, Tailpipe</b>			
Sedan	210 682 19 71		54.00
Wagon	210 682 35 71		7.00

## E430

R&R Exhaust System Complete ..... #3.2  
**#Does Not Include R&R Exhaust Manifolds & Shields**

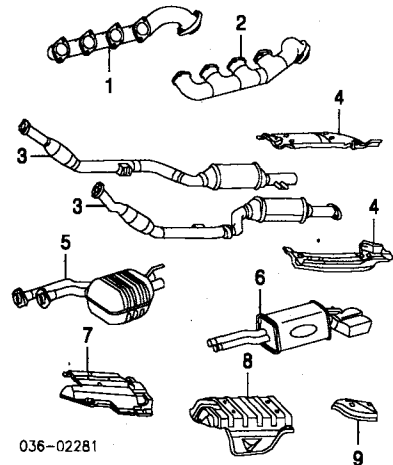


036-01601

<b>1 Manifold, Exhaust</b>			
Cyl 1-4	113 140 00 09	m #6.3	430.00
Cyl 5-8	113 140 01 09	m #4.0	430.00
<b>#R&amp;R Both 8.7</b>			
<b>2 Pipe, Front Exhaust</b>			
AWD	R 210 490 07 47	#2.4	1670.00
	L 210 490 08 47	#2.4	1670.00
RWD	R 210 490 83 20	#2.4	680.00
	L 210 490 82 20	#2.4	700.00
<b>#Includes R&amp;R Rear Muffler &amp; Pipe</b>			
<b>3 Muffler &amp; Pipe, Center/Rear</b>	210 490 36 21		520.00
<b>4 Shield, Front Heat</b>	R 210 682 03 71		42.00
	L 210 682 15 71		15.00
<b>5 Shield, Ctr Heat</b>	210 682 00 71		44.50
<b>6 Shield, Rear Heat</b>	210 682 02 71		44.50
<b>7 Shield, Tailpipe</b>	210 682 19 71		54.00

## E55

R&R Exhaust System Complete ..... #3.2  
**#Does Not Include R&R Exhaust Manifolds & Shields**

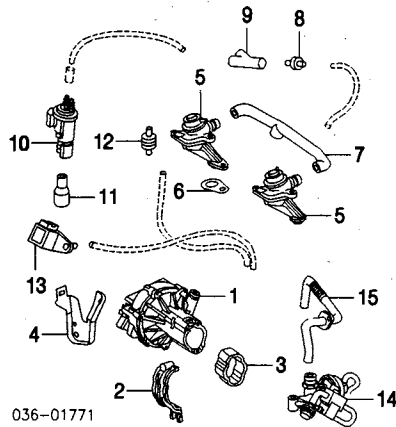


036-02281

<b>Manifold, Exhaust</b>			
1 Cyl 1-4	113 140 00 09	m #6.3	430.00
2 Cyl 5-8	113 140 01 09	m #4.0	430.00
<b>#R&amp;R Both Sides 8.7</b>			
<b>Gasket, Manifold (8)</b>	112 142 01 80	m	2.20
<b>3 Pipe, Front Exhaust</b>	R 210 490 10 47	#1.3	1920.00
	L 210 490 11 47	#1.3	1920.00
<b>#Includes R&amp;R Rear Muffler &amp; Pipe</b>			

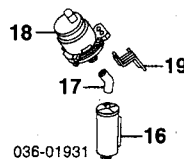
<b>4 Shield, Front Heat</b>	R 210 682 03 71		42.00
	L 210 682 15 71		15.00
<b>5 Muffler, Center</b>	WA 210 490 02 15	1.0	935.00
<b>6 Muffler, Rear</b>	210 490 24 01	.8	2050.00
<b>7 Shield, Ctr Heat</b>	210 682 00 71		44.50
<b>8 Shield, Rear Heat</b>	210 682 02 71		44.50
<b>9 Shield, Tailpipe</b>	210 682 19 71		54.00

## EMISSION SYSTEM



036-01771

<b>1 Pump, Air</b>	000 140 37 85	m	.7	765.00
<b>Brkt, Air Pump</b>	112 237 02 40			5.75
<b>3 Buffer, Air Pump</b>	112 237 00 12	m		12.50
<b>4 Brkt, Change-Over Valve</b>	112 237 01 40			4.90
<b>5 Valve, Shut-Off</b>	R 002 140 36 60	m	.5	104.00
	L 002 140 35 60	m	.5	104.00
<b>6 Gskt, Shut-Off Valve</b>	R/L 112 238 00 80	m		2.40
<b>7 Hose, Valve</b>	112 238 00 82	m	.3	8.00
<b>8 Connector, Hose</b>	116 276 09 29	m		1.70
<b>9 Fitting, Valve</b>	601 078 02 45	m		4.40
<b>10 Valve, Change-Over</b>	002 540 14 97	m	.5	23.50
<b>11 Boot, Valve</b>	117 078 09 81	m		2.70
<b>12 Valve, Check</b>	001 140 66 60	m		17.50
<b>13 Sensor, Pressure</b>	011 542 06 17	m	.3	80.00
<b>14 Valve, EGR</b>	112 140 00 60	m	#7	104.00
<b>15 Pipe, EGR Valve</b>	112 140 01 08	m	#7	76.00
<b>#R&amp;R Complete</b>				



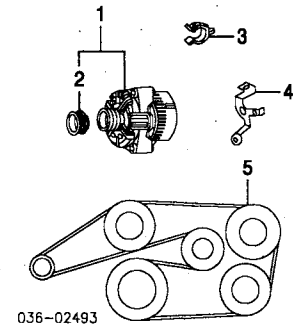
036-01931

<b>16 Canister, Vapor</b>				
2000	210 470 13 59	m	.7	348.00
2001				
To 6-29-01	210 470 16 59	m	.7	348.00
From 6-30-01	210 470 18 59	m	.7	370.00
2002-03	210 470 18 59	m	.7	370.00
<b>17 Hose, Canister</b>				
Sedan	210 476 82 26	m		11.50
Wagon	210 476 00 27	m		25.00
<b>18 Valve, Purge</b>				
Sedan	000 476 67 32	m	.3	127.00
Wagon				
2000				
To 3-3-00	000 476 57 32	m	.3	112.00
From 3-3-00	000 476 67 32	m	.3	127.00
2001-03	000 476 67 32	m	.3	127.00
<b>19 Brkt, Purge Valve</b>				
Sedan	210 478 07 40			2.70
Wagon	210 478 09 40			9.75

## ELECTRICAL ALTERNATOR

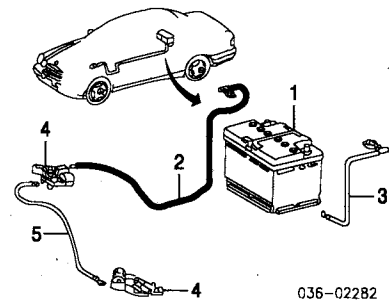
Illustration Located in Next Column

<b>1 Alternator Assy</b>				
E320				
Bosch Brand	011 154 27 02	m	1.0	560.00
Valeo Brand	011 154 62 02	m	1.0	810.00
E430, E55	00-01 010 154 29 02	m	1.0	1200.00
	02 012 154 13 02	m	1.0	985.00
	119 155 02 15	m	#2	26.00
<b>2 Pulley, Alternator]</b>				
<b>#Included w/Alternator Assy</b>				
<b>#w/Alternator Removed</b>				
<b>3 Brkt, Reinf</b>	220 832 03 14			1.70
<b>4 Brkt, Alternator</b>	112 203 01 40			2.50
<b>5 Belt, Drive-See Cooling Section</b>				



036-02493

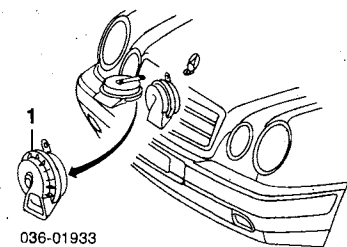
## BATTERY



036-02282

<b>1 Battery</b>	N.A.	.3	0.00
<b>2 Cable, Positive</b>	210 540 19 30	1.6	80.00
<b>3 Cable, Negative</b>	210 540 10 31	.4	20.50
<b>4 Socket, Terminal</b>	R 210 546 02 41		37.00
	L 210 546 01 41		11.50
<b>5 Harness, Battery/Fuse Box</b>	210 540 02 30		11.00

## HORN

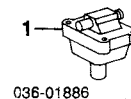


036-01933

<b>1 Horn Kit</b>			
High Note	004 542 90 20	.4	44.50
Low Note	004 542 66 20	.4	45.00

## IGNITION

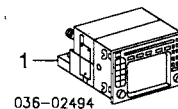
R&R Ignition Coils Complete ..... m .7



036-01886

<b>1 Coil, Ignition</b>				
E320 (8)	000 158 78 03	m	#4	220.00
E430, E55 (8)	000 158 78 03	m	#6	220.00
<b>#R&amp;R Two or More .7</b>				

## NAVIGATION SYSTEM



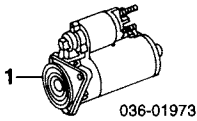
036-02494

<b>1 Display Unit, Navigation]</b>				
2000				
2001				
To 8-7-01	210 820 52 89	m	1.0	4740.00
From 8-7-01	210 820 55 89	m	1.0	5720.00
2002-03	210 820 55 89	m	1.0	5720.00
<b>¶Order by Application</b>				

# M-BENZ E-CLASS SED 00-02/ WGN 2000-03

## ELECTRICAL Cont'd

### STARTER

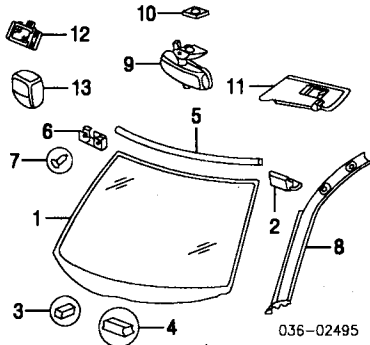


1 Starter 005 151 65 01 m 1.5 510.00

### WINDSHIELD

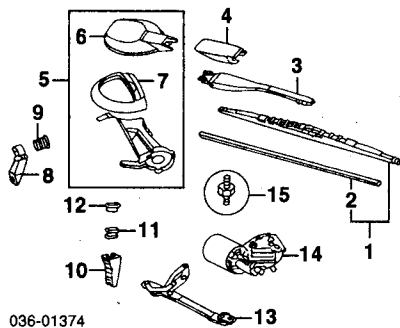
Use Procedure Explanation 13 with the following text.

R&I Windshield..... #5.2  
#Includes Clean Up Old Adhesive as Necessary



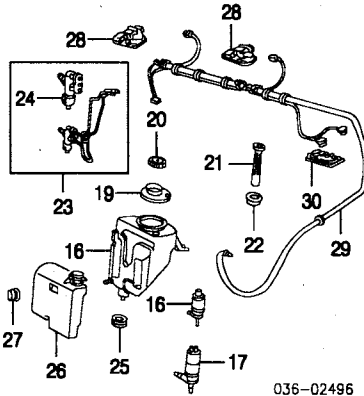
- |   |  |  |  |
|---|--|--|--|
| 1 Glass, Windshield Mercedes-Benz (Shade) w/Rain Sensor w/o Rain Sensor NAGS w/Rain Sensor Std Type Green/Gray Shade Premium Type Green/Green Shade w/o Rain Sensor Std Type Green/Gray Shade Green/Green Shade Premium Type Green/Gray Shade | 210 670 04 01<br>210 671 04 10<br>FW02056GY<br>FW02056GY P<br>FW00818GYN<br>FW00818GGN<br>FW00818GYN P | #4.8<br>#4.8<br>#4.8<br>#4.8<br>#4.8<br>#4.8<br>#4.8 | 394.00<br>284.00<br>266.05<br>369.60<br>187.70<br>186.85<br>332.10 |
| <b>Repair Kit, Installation</b> 94.00   |  |  |  |
| 2 Brace, Upper (3)  | 220 670 00 93  |  | 2.20   |
| 3 Brace, Glass (2/Side)   | R/L 210 671 03 97  |  | 1.00   |
| 4 Strip, Glass Brace (2/Side)   | R/L 124 671 02 69  |  |  |
| 5 Moulding, Upper Reveal  | 210 670 09 22  | .3   | 59.00  |
| 6 Clip, Moulding (5)  | 124 988 98 78  |  | .90  |
| 7 Rivet, Clip (5)   | 910001 003101  |  | .50  |
| 8 Mldg, Inside Garnish  |  |  |  |
| Sedan   | R 210 690 34 40 8H20   | .3   | 37.50  |
|   | L 210 690 33 40 8H20   | .3   | 37.50  |
| Wagon   | R 210 690 40 40  | .3   | 60.00  |
|   | L 210 690 39 40  | .3   | 60.00  |
| <i>#Order by Application</i>  |  |  |  |
| 9 Mirror, Rear View   | 208 810 22 17  | .3   | 1070.00  |
| <i>#Order by Application</i>  |  |  |  |
| 10 Plate, Mount   | 124 810 07 11  |  | 12.50  |
| 11 Visor, Sun   | R 210 810 24 10  | .4   | 124.00   |
|   | L 210 810 23 10  | .4   | 124.00   |
| <i>#Order by Application</i>  |  |  |  |
| 12 Sensor, Rain   | 210 820 57 10  |  | 95.00  |
| 13 Cover, Rain Sensor   | 210 822 00 40  |  | 3.50   |

### WIPER SYSTEM



1 Blade Assy, Wiper 210 820 00 45 .1 19.50

- |   |               |      |        |
|---|---------------|------|--------|
| 2 Insert, Blade                             | 000 824 55 27 | .1   | 8.50   |
| <i>#Included w/Wiper Blade Assy</i>         |               |      |        |
| 3 Arm, Wiper                                | 210 820 01 44 | #.2  | 60.00  |
| <i>#Includes R&amp;R Insert &amp; Blade</i> |               |      |        |
| 4 Cap, Wiper Arm                            | 124 824 03 49 |      | 8.50   |
| 5 Gearing Assy, Motor                       | 210 820 00 07 |      | 580.00 |
| 6 Cap, Gearing                              | 210 824 00 49 |      | 20.00  |
| 7 Seal                                      | 124 824 00 98 |      | 12.50  |
| <i>#Included w/Motor Gearing Assy</i>       |               |      |        |
| 8 Brkt, Mounting                            | 210 824 01 14 |      | 3.50   |
| 9 Bushing, Brkt                             | 007 997 63 81 |      | 1.40   |
| 10 Brkt, Side                               | 210 820 08 14 |      | 2.20   |
| 11 Bushing                                  | 000 824 12 17 |      | 2.70   |
| 12 Sleeve                                   | 000 824 34 99 |      | 1.20   |
| 13 Linkage, Motor                           | 210 820 00 41 | #2.4 | 65.00  |
| 14 Motor, Wiper                             | 210 820 17 42 | #2.4 | 236.00 |
| <i>#R&amp;R Complete</i>                    |               |      |        |
| 15 Bumper, Rubber (2)                       | 202 988 00 11 |      | 5.00   |

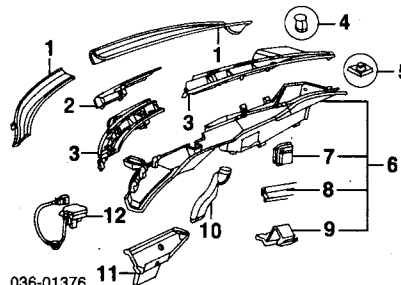


- |   |                   |     |        |
|---|-------------------|-----|--------|
| 16 Pump, Windshield Washer                        |                   |     |        |
| Sedan   | 210 869 08 21     | #.5 | 32.00  |
| Wagon   | 210 869 10 21     | #.5 | 32.00  |
| <i>#Includes R&amp;R Reservoir</i>                |                   |     |        |
| 17 Pump, Headlamp Washer-See Front Lamps Section  |                   |     |        |
| 18 Reservoir, W/S Washer                          | 210 869 12 20     | .5  | 33.50  |
| 19 Cover, Reservoir                               | 210 869 03 08     |     | 2.70   |
| 20 Cap, Filler                                    | 124 869 01 72     |     | 2.00   |
| 21 Sensor, Level                                  | 210 540 00 45     |     | 27.50  |
| 22 Grommet, Sensor                                | 140 997 42 81     |     | 2.00   |
| 23 Element Assy, Heat                             | 210 830 16 61     |     | 152.00 |
| 24 Valve, Reservoir                               | 126 830 07 84     |     | 26.00  |
| <i>#Included w/Heat Element Assy</i>              |                   |     |        |
| 25 Mount, Reservoir                               | 115 997 06 81     |     | 1.50   |
| 26 Reservoir Assy, Washer-See Front Lamps Section |                   |     |        |
| 27 Cap, Plug                                      | R/L 210 987 00 45 |     | 1.40   |
| 28 Nozzle, Washer                                 | R/L 210 860 18 47 | .2  | 38.50  |
| 29 Hose, Washer                                   | 210 860 00 92     |     | 116.00 |
| 30 Plate, Eng Hood                                | 126 820 11 11     |     | 27.50  |

### COWL & DASH

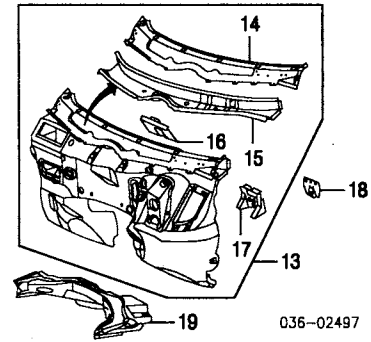
Use Procedure Explanations 14 and 28 with the following text.

R&I Cowl Grille..... R/L #3  
#R&I Both .4



- |   |                   |     |       |
|---|-------------------|-----|-------|
| 1 Grille, Cowl                          | R 210 831 10 58   | #.3 | 15.50 |
|   | L 210 831 09 58   | #.3 | 15.50 |
| <i>#R&amp;R Both .4</i>                 |                   |     |       |
| 2 Cover, Wiper Gear                     | 210 830 00 13     |     | 6.25  |
| 3 Covering, Lower w/ATC                 |                   |     |       |
|   | R 210 830 15 13   |     | 39.50 |
|   | L 210 830 11 13   |     | 24.50 |
|   | R 210 830 12 13   |     | 39.50 |
|   | L 210 830 11 13   |     | 24.50 |
| 4 Rivet, Cover                          | R/L 000 990 25 92 |     | .90   |
| 5 Clip (7)                              | 000 994 06 45     |     | .40   |
| 6 Nozzle, Washer-See Windshield Section | 210 830 07 44     |     | 75.00 |
| 7 Valve, Drain                          | 140 832 00 84     |     | 1.70  |
| 8 Seal, Deflector                       | 210 831 00 98     |     | 6.00  |
| 9 Clip, Retainer                        | 202 988 03 78     |     | .70   |
| <i>#Included w/Water Deflector Assy</i> |                   |     |       |
| Pipe, Drain                             |                   |     |       |
| 10 Right                                | 210 832 02 25     |     | 7.50  |
| 11 Left                                 | 210 832 01 25     |     | 9.75  |

12 Sensor, Pollutant 210 830 06 72 360.00



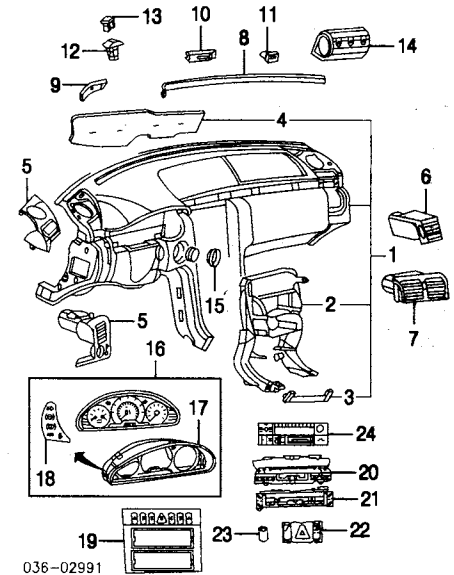
- |  |               |      |        |
|--|---------------|------|--------|
| 13 Panel Assy, Dash  | 210 620 08 08 |      | 860.00 |
| 14 Panel, Cowl Top   | 210 626 01 55 | #6.0 | 76.00  |
| 15 Support, Lower  | 210 626 02 55 | #6.0 | 76.00  |
| <i>#w/Windshield &amp; Necessary Bolted Parts &amp; Assemblies</i> |               |      |        |
| <i>Removed, R&amp;R Complete</i>                                   |               |      |        |
| 16 Plate, W/S Wiper  | 201 620 11 11 |      | 1.70   |
| 17 Brkt, Steering Column   | 210 625 00 31 |      | 4.70   |
| <i>#Included w/Dash Panel Assy</i>                                 |               |      |        |
| 18 Brkt, Column Inner  | 210 625 04 31 |      | 3.50   |
| 19 Support, Panel  | 210 620 43 86 |      | 139.00 |

### INSTRUMENT PANEL

Use Procedure Explanation 14 with the following text.

R&I Instrument Panel..... m 6.0

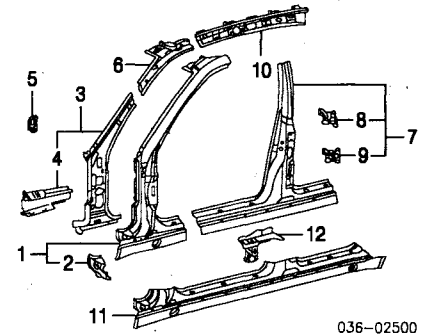
NOTE: All Parts in this section are included in R&R Instrument Panel unless noted otherwise.



- |   |                                    |            |                |
|---|------------------------------------|------------|----------------|
| 1 Panel Assy, Instrument  | 210 680 73 87                      | m 9.0      | 960.00         |
| <i>#Order by Application</i>  |                                    |            |                |
| 2 Reinf, Panel Center (a) w/Navigation System w/o Navigation System | 210 689 09 16<br>210 689 10 16     | 2.5<br>2.5 | 27.00<br>27.00 |
| 3 Reinf, Panel (a)  | 210 683 03 25                      |            | 3.00           |
| 4 Insulation, Inst Panel (a) (a) Included w/Instrument Panel Assy   | 210 682 00 04                      |            | 7.50           |
| 5 Grille, Speaker   | R 210 680 92 39<br>L 210 680 91 39 | .2<br>.2   | 17.50<br>17.50 |
| <i>#Order by Application</i>  |                                    |            |                |
| Speaker, Telephone  | 210 820 68 02                      |            | 29.50          |
| 6 Vent, Air Outer   | R 210 830 18 54<br>L 210 830 21 54 | .3<br>.3   | 63.00<br>80.00 |
| 7 Vent, Air Center  | 210 830 15 54                      | .3         | 127.00         |
| 8 Mldg, Upper Woodgrain   | 210 680 14 71                      |            | 177.00         |
| 9 Left  | 210 680 01 71                      |            | 79.00          |
| <i>#Order by Application</i>  |                                    |            |                |
| 10 Plate, Lock  | R/L 202 994 05 45                  |            | 1.20           |
| 11 Clip, Upper (3)  | 008 988 77 78                      |            | .90            |
| 12 Sensor, Sun  | 210 830 02 72                      |            | 33.50          |
| 13 Cover, Sensor  | 210 689 08 83                      |            | 1.50           |
| 14 Module, Pass Air Bag-See Air Bag System Section                  |                                    |            |                |
| 15 Cover, Cylinder Lock-See Steering Wheel/Column Section           |                                    |            |                |
| 16 Cluster Assy, Instrument   |                                    |            |                |
| Std Pkg   | 210 540 33 11                      | m .9       | 875.00         |
| Avantgarde Pkg  |                                    |            |                |
| E320, E430  | 210 540 19 11                      | m .9       | 1110.00        |
| E55   | 210 540 37 11                      | m .9       | 875.00         |

*Order by Application			
17 Case, Inst Cluster	R 210 540 16 24 5215	159.00	
18 Strip, Symbol (a)	R 210 584 78 17	6.00	
	L 210 584 53 17	6.00	
*Included w/Instrument Cluster Assy			
19 Plate, Woodgrain Trim (a)			
Avantgarde Pkg	210 680 73 36	.5	316.00
Elegance Pkg	210 680 31 36	.5	370.00
Designo Pkg	210 680 95 36	.5	0.00
(a) Order by Application			
20 Brkt, Reinf	210 821 00 71	17.50	
21 Midg, Fitting			
w/Ventilated Seats	210 820 10 51		194.00
w/o Ventilated Seats	210 820 01 51		194.00
22 Switch, Central			
Sedan	208 820 03 10	.3	47.50
Wagon	210 820 80 10	.3	48.50
23 Switch, Wiper/Washer	210 820 22 10	.3	26.00
24 Radio	208 820 10 86	1.0	725.00

44 Baffle, Air	R 202 830 04 66	2.00	
	L 202 830 03 66	2.00	
45 Duct, Upper Air	R 210 831 22 46	2.50	
	L 210 831 21 46	2.50	
46 Duct, Frt Inner Air	R 210 831 14 46	8.00	
	L 210 831 13 46	8.00	
47 Duct, Frt Outer Air	R 210 831 02 46	16.00	
	L 210 831 01 46	16.00	
48 Duct, Rear Air	R/L 210 831 03 46	4.90	
49 End, Air Duct	R/L 210 831 05 46	4.40	
50 Duct, Frt Tunnel Air	210 831 48 46	8.75	
51 Duct, Rear Tunnel Air	210 831 44 46	6.75	



**CENTER CONSOLE**

Use Procedure Explanation 14 with the following text.

R&I Center Console	.....	.8	
--------------------	-------	----	--

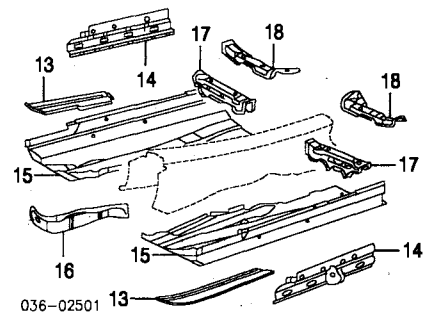
1 Console, Center	210 680 38 50	1.2	350.00
2 Cover, Console Rear	210 683 19 08		42.00
3 w/Telephone			
w/Leather	210 680 01 82	.5	428.00
w/o Leather	210 680 99 39	.5	220.00
4 w/Telephone			
w/Leather	210 680 00 82	.5	280.00
w/o Leather	210 680 98 39	.5	134.00
*Order by Application			
5 Housing, Telephone	210 680 00 79	#.5	51.00
*Includes R&R Console Upper Cover			
6 Tray, Front	210 680 07 52		37.50
7 Handle, Selector Lever			
Avantgarde Pkg, Elegance Pkg	220 260 05 40	.2	498.00
Classic Pkg	210 267 37 10	.2	137.00
Std Pkg	220 260 09 40	.2	498.00
*Order by Application			
8 Cover, Shift Case	210 267 02 88		6.50
9 Case, Shift	210 680 94 36		152.00
*Order by Application			
10 Housing, Upper	210 680 08 50		67.00
11 Insert, Housing	210 683 04 75		6.00
12 Cover, Woodgrain Upper			
Avantgarde Pkg	210 680 53 39		139.00
Designo Pkg	210 680 88 36		174.00
Elegance Pkg	210 680 31 39		139.00
*Order by Application			
13 Holder, Cup	210 680 01 14		61.00
14 Plate, Woodgrain Trim			
Elegance Pkg	210 680 65 36		310.00
Designo Pkg	210 680 82 36		0.00
*Order by Application			
15 Switch, Window/Mirror			
Sedan	210 821 41 51	#.5	.20
Wagon	210 821 11 51	#.5	278.00
*Includes R&R Lever Handle & Trim Plate			
16 Switch, Window Blind	210 820 27 10	.3	26.00
17 Switch, Folding Mirror	210 820 20 10	.3	18.35
18 Switch, ESP	210 821 35 51	.3	32.50
19 Switch, Tire Pressure	210 821 31 51	.3	42.50
20 Switch, Parktronic	210 821 14 51	.3	31.50

**ROCKER/PILLARS/FLOOR**

Use Procedure Explanations 14, 15 and 28 with the following text.

<b>SHEET METAL</b>			
Refinish Outer Hinge Pillar	.....R/L	1.0	
Refinish Center Pillar	.....R/L	1.0	
Refinish Outer Rocker Panel	.....R/L	1.6	
Refinish Upper Hinge	.....R/L	.2	
Refinish Lower Hinge	.....R/L	.2	

1 Panel Assy, Outer Hinge			
Sedan	R 210 630 24 07	\$	12.5 770.00
	L 210 630 23 07	\$	12.5 770.00
Wagon	R 210 630 26 07	\$	12.5 770.00
	L 210 630 25 07	\$	12.5 770.00
2 Cover, Hinge Pillar	R 210 630 02 08	\$	12.5 14.00
	L 210 630 01 08	\$	14.00
*Included w/Outer Hinge Panel Assy			
3 Panel Assy, Inner Pillar	R 210 630 14 10	\$	3.5 77.00
	L 210 630 15 10	\$	3.5 85.00
4 Reinf, Inr Panel	R 210 637 56 16	\$	39.50
	L 210 637 55 16	\$	39.50
*Included w/Inner Pillar Panel Assy			
5 Brkt, Lower	R 202 630 10 31		28.50
	L 202 630 09 31		28.50
6 Pillar, Inner Upper	R 210 630 12 10	\$	1.8 42.50
	L 210 630 11 10	\$	1.8 42.50
7 Pillar Assy, Center	R 210 630 18 11	\$	#9.0 510.00
	L 210 630 17 11	\$	#9.0 510.00
*Does Not Include Frame Set-Up on Straightening Bench as per Manufacturer Recommended Procedures			
8 Hinge Upper	R 210 730 24 37	#.5	47.00
	L 210 730 23 37	#.5	47.00
9 Lower	R 210 730 26 37	#.5	47.00
	L 210 730 25 37	#.5	47.00
*Included w/Center Pillar Assy			
*#Door Removed R&R Both One Side .8			
10 Rail, Inner Side-See Roof Section			
11 Panel, Rocker Outer	R 210 637 06 35	\$	#9.5 434.00
	L 210 637 05 35	\$	#9.5 434.00
*#Quarter Panel Removed Deduct 2.0			
12 Brkt, Jack	R 210 630 04 31		40.00
	L 210 630 03 31		40.00



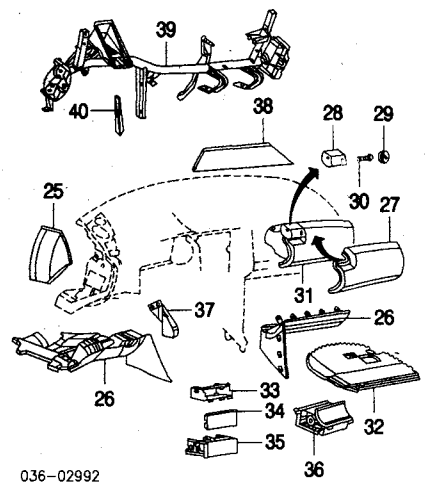
13 Rail, Side Front	R 210 610 22 10	\$	3.5 26.00
	L 210 610 21 10	\$	3.5 26.00
14 Reinf, Floor	R 210 610 34 25	\$	2.6 37.50
	L 210 610 33 25	\$	2.6 37.50
15 Floor, Front	R 210 610 10 60	#18.5	520.00
	L 210 610 09 60	#18.5	520.00
*#w/Rocker Panel Removed, Includes R&R Front Crossmember & R&R Fuel Tank			
16 Connector, Floor			
AWD	R 210 610 00 32		124.00
	L 210 610 08 20		2.8 63.00
17 Crossmember, Front	R 210 610 07 20		2.8 63.00
	L 210 610 06 20		2.8 63.00
18 Crossmember, Rear	R 210 612 08 14		2.8 94.00
	L 210 612 07 14		2.8 94.00

**EXTERIOR TRIM**

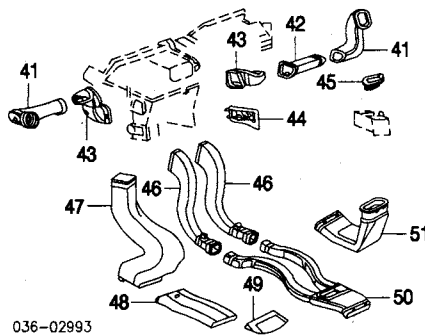
R&I Rocker Panel Cover	.....R/L	.5	
Refinish Rocker Panel Cover	.....R/L	1.0	

Illustration Located in Next Column

1 Moulding, Rocker Panel (P)			
w/Sport Pkg	R 210 698 08 54	.5	460.00
	L 210 698 07 54	.5	460.00
w/o Sport Pkg	R 210 690 82 25	.5	334.00
	L 210 690 81 25	.5	334.00
(P) Paint to Match			



25 Cover, Outer Trim	R 210 680 22 78	8.75	
	L 210 680 21 78	8.75	
26 Pad, Knee Bar	R 210 680 64 87	130.00	
	L 210 680 65 87	#.3	220.00
27 Door, Glove Box Outer	210 680 11 98	#.3	149.00
*Order by Application			
28 Lock, Glove Box	210 680 10 84	#.3	.20
29 Cap, Lock	170 689 00 30	#.3	0.00
30 Cylinder, Lock (a)	170 680 06 84	#.3	66.00
(a) Order by Key Code			
*R&R Complete			
31 Box, Glove	210 680 13 91		65.00
32 Panel, Lower Trim	210 680 52 36	.4	16.00
33 Tray, Upper	210 689 03 31		4.90
34 Cover, Radio	140 683 01 10		3.90
35 Tray, Lower			
Avantgarde Pkg	210 680 16 52		210.00
Elegance Pkg	210 680 08 52		185.00
Designo Pkg	210 680 63 52		0.00
36 Ashtray, Front			
Avantgarde Pkg	210 680 18 52	.3	210.00
Elegance Pkg	210 680 02 52	.3	230.00
Designo Pkg	210 680 59 52	.3	0.00
*Order by Application			
37 Brkt, Inner	210 680 11 14		16.00
38 Insulation, Glove Box	210 682 03 04		1.70
39 Support, Instrument Panel	210 620 41 86	#.8	510.00
*#Instrument Panel Removed, Not Included in R&R Instrument Panel			
40 Strut, Support	210 628 16 24		16.50



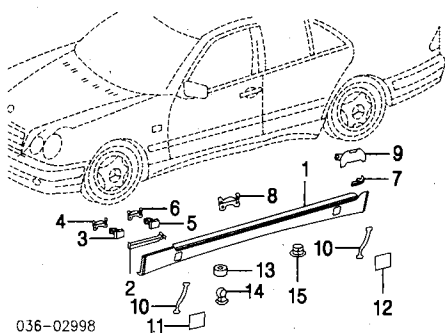
41 Duct, Outer Air	R 210 831 39 46	#.3	4.90
	L 210 831 11 46	#.3	4.90
42 Duct, Center Air	210 831 37 46	#.3	4.00
43 Duct, Inner Air	R 210 831 35 46	#.3	3.90
	L 210 831 09 46	#.3	2.50

\*R&R One Side Complete, w/Instrument Panel Removed, Not Included in R&R Instrument Panel

# M-BENZ E-CLASS SED 00-02/ WGN 2000-03

## ROCKER/PILLARS/FLOOR Cont'd

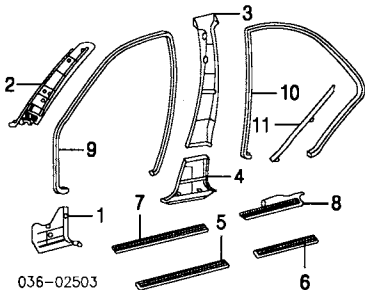
### EXTERIOR TRIM Cont'd



036-02998

2 Midg, Frt Rocker Finish	R 210 698 72 30	12.00
	L 210 698 71 30	12.00
3 Clip, Frt Midg		
w/Sport Pkg (3/Side)	R/L 002 988 37 81	.50
w/o Sport Pkg	R/L 002 988 37 81	.50
4 Retainer, Frt Clip		
w/Sport Pkg (3/Side)	R/L 009 988 40 78	1.00
w/o Sport Pkg	R/L 009 988 40 78	1.00
5 Clip, Rear Midg (2/Side)	R/L 002 988 39 81	1.40
6 Retainer, Rear Midg (2/Side)	R/L 002 988 38 81	1.00
7 Midg, Rear Rocker Finish	R 210 698 74 30	5.75
	L 210 698 73 30	5.75
8 Clip, Cover Frt Upr (9/Side)	R/L 210 997 00 33	.70
9 Clip, Rocker Cover Rear	R/L 010 988 72 78	.70
10 Strap (2/Side)	R/L 201 698 02 14	1.40
11 Cover, Rocker Front		
w/Sport Pkg	R 210 698 00 77	56.00
	L 210 698 01 77	56.00
w/o Sport Pkg	R 210 698 68 30	24.50
	L 210 698 67 30	23.00
12 Cover, Rocker Rear		
w/Sport Pkg	R 210 698 02 77	56.00
	L 210 698 03 77	56.00
w/o Sport Pkg	R 210 698 70 30	27.00
	L 210 698 69 30	23.00
13 Clip, Fastener (6/Side)	R/L 009 988 43 78	1.00
14 Clip, Rocker Lwr (6/Side)	R/L 009 988 42 78	1.00
15 Plug, Rocker Cover	R/L 002 997 79 86	2.00

### INTERIOR TRIM



036-02503

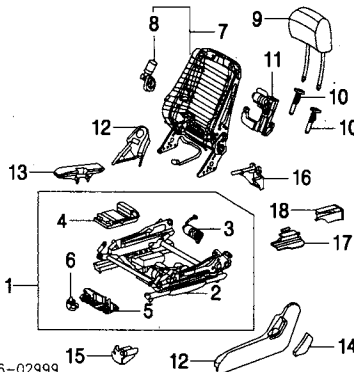
1 Panel, Cowl Trim	R 210 680 02 06	.3	17.50
	L 210 680 01 06	.3	17.50
<i>Order by Application</i>			
2 Midg, Inside Garnish-See Windshield Section			
3 Trim, Center Pillar (a)	R 210 690 36 40 8H20	.5	79.00
	L 210 690 35 40 8H20	.5	79.00
(a) Quartz listed, Order by Application			
4 Cover, Lower	R 210 690 22 30	.3	13.50
	L 210 690 21 30	.3	13.50
5 Plate, Frt Otr Scuff			
Avantgarde Pkg, Elegance Pkg	R/L 210 680 34 35	.2	70.00
Std Pkg	R/L 210 680 23 35	.2	24.50
6 Plate, Rear Otr Scuff			
Avantgarde Pkg, Elegance Pkg	R/L 210 680 35 35	.2	26.00
Std Pkg	R/L 210 680 24 35	.2	22.50
7 Plate, Frt Inr Scuff	R 210 680 22 35	.3	20.00
	L 210 680 21 35	.3	20.00
8 Plate, Rear Inr Scuff			
Sedan	R 210 680 26 35	.3	20.00
	L 210 680 25 35	.3	20.00
Wagon	R 210 680 28 35	.3	32.00
	L 210 680 27 35	.3	32.00
9 Cover, Front Welt	R 210 697 12 51	.3	81.00
	L 210 697 11 51	.3	81.00
10 Cover, Rear Welt			
Sedan	R 210 697 16 51	.3	85.00
	L 210 697 15 51	.3	84.00
Wagon	R 210 697 14 51	.3	81.00
	L 210 697 13 51	.3	81.00
11 Panel, Whilsh Inner			
Sedan	R 210 690 02 26		28.50
	L 210 690 01 26		28.50
<i>Order by Application</i>			

## FRONT SEAT

Use Procedure Explanation 30 with the following text.

R&L Front Seat.....	R/L	1.0
O/H Front Seat (Includes R&L).....	R/L	4.5

NOTE: All Parts in this section are included in overhaul unless noted otherwise.

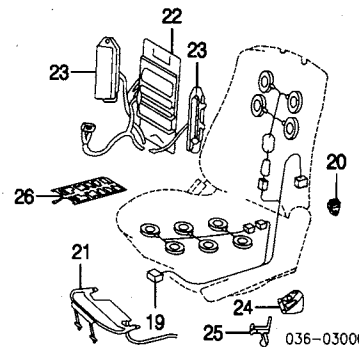


036-02999

1 Adjuster Assy, Power	R 210 910 42 36	2.5	850.00
	L 210 910 41 36	2.5	550.00
2 Adjuster	R 202 910 96 85		770.00
	L 202 910 95 85		680.00
3 Motor, Adjustment			
Height Front (2/Side)	R/L 210 820 48 42	1.5	97.00
Height Rear	R/L 210 820 49 42	1.5	85.00
4 Control Unit, Adjustment	R 210 820 66 26		276.00
	L 210 820 65 26		276.00
Cover, Control Unit	R/L 210 919 09 20		3.50
5 Bracket, Adjuster	R/L 210 545 44 40		2.00
6 Clamp	R/L 000 995 80 44		2.90
<i>Included w/Power Adjuster Assy</i>			
7 Frame Assy, Back	R 210 910 36 34		458.00
	L 210 910 35 34		458.00
8 Motor, Recliner	R 210 820 72 42	1.5	184.00
	L 210 820 71 42	1.5	184.00
<i>Included w/Back Frame Assy</i>			
9 Headrest			
E320, E430			
Fabric			
Avantgarde Pkg	R/L 210 970 27 50	.3	0.00
Elegance Pkg	R/L 210 970 26 50	.3	0.00
Leather			
Mercedes-Benz	R 202 970 49 50	.3	182.00
Nappa	R/L 210 970 45 50	.3	390.00
Standard	R/L 210 970 44 50	.3	390.00
E55	R/L 210 970 53 50	.3	390.00
10 Guide, Headrest			
Passenger Side	R/L 210 970 02 41		1.40
Driver Side	R/L 210 970 02 41		1.40
<i>Order by Application</i>			
11 Mechanism, Folding	R/L 210 970 00 26		69.00
12 Cover, Recliner Side			
Outer	R 210 918 04 30		26.00
	L 210 918 03 30		26.00
	R 210 918 06 30		11.00
	L 210 918 05 30		11.00
13 Cover, Adjuster Inner			
w/Multi-Contour Backrest	R 210 910 14 18		32.50
	L 210 910 13 18		32.50
w/o Multi-Contour Backrest	R 210 910 12 18		32.50
	L 210 910 11 18		32.50
14 Cap, Recliner Cover	R 210 918 08 30		4.20
	L 210 918 07 30		4.20
<i>Order by Application</i>			
15 Cap, Frt Otr End	R 210 919 06 20		3.50
	L 210 919 05 20		3.50
16 Cap, Rear Inr End	R 210 919 08 20		3.50
	L 210 919 07 20		3.50
17 Cap, Rear Otr End	R 210 919 02 20		3.50
	L 210 919 01 20		3.50
18 Cover, Rear Cap	R 210 919 04 20		3.50
	L 210 919 03 20		3.50

Illustration Located in Next Column

19 Cable, Heater/Ventilation	R/L 210 540 35 33		12.50
20 Control Unit, Seat	R/L 220 820 32 26		99.00
21 Adapter, Length Adjust	R/L 210 910 03 75		47.50
22 Adapter, Lumbar Contour	R/L 210 910 02 75		114.00
	L 210 910 01 75		114.00
23 Adapter, Side Bolster			
Passenger Side	R 202 910 10 75		42.50
	L 202 910 09 75		42.50
Driver Side	R 202 910 10 75		42.50
	L 202 910 09 75		42.50
24 Valve, Contour Adjust	R/L 210 800 01 78		77.00
25 Brkt, Side	R/L 210 912 02 14		6.25
	L 210 912 01 14		3.90
26 Sensor, Passenger Seat-See Air Bag System Section			



036-03000

## REAR SEAT

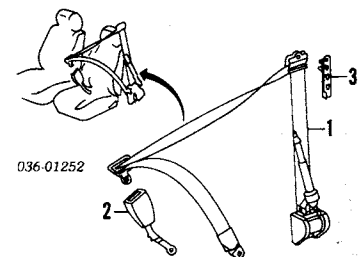
Use Procedure Explanation 30 with the following text.

R&L Rear Seat Complete .....			.8
------------------------------	--	--	----

## SEAT BELTS

Use Procedure Explanation 30 with the following text.

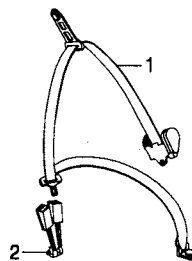
### FRONT



036-01252

1 Belt, Seat	R 210 860 96 85	1.6	260.00
	L 210 860 95 85	1.6	260.00
<i>Order by Application</i>			
2 Buckle, Belt	R 210 860 24 69	.3	70.00
	L 210 860 29 69	.3	70.00
3 Bracket, Adjuster	R 210 860 29 69		70.00
	L 210 860 24 69		70.00

### CENTER WAGON



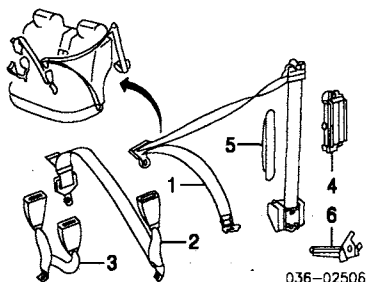
036-03001

1 Belt, Seat	R 210 860 86 85 9A86		155.00
	L 210 860 85 85 9A86		155.00
<i>Black listed, Order by Application</i>			
2 Buckle, Locking	210 860 08 69		87.00

### REAR SEDAN

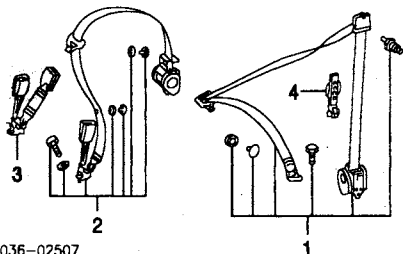
Illustration Located in Next Column

1 Belt, Outer Seat	R 210 860 58 85 9A86	#1.7	182.00
	L 210 860 57 85 9A86	#1.7	182.00
<i>Order by Application</i>			
<i>Includes R&amp;L Rear Seat &amp; R&amp;R Quarter Trim Panel</i>			
2 Belt, Center Seat	210 860 31 85	#3	190.00
3 Buckle, Locking	210 860 43 69	#3	80.00
<i>W/Rear Seat Removed</i>			
4 Cover, Belt	R/L 208 868 01 39		2.90
5 Device, Reversing	R/L 210 868 01 86		3.70
6 Brkt, Belt Lower	R 210 868 02 14		2.50



L 210 868 01 14 2.50

**REAR WAGON**



036-02507

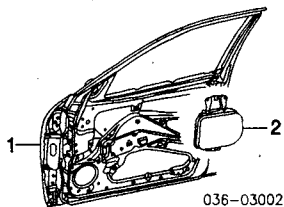
- 1 Belt, Outer Seat] R 210 860 72 85 9A86 #1.3 182.00  
L 210 860 71 85 9A86 #1.3 182.00  
*#Includes R&I Rear Seat & Front Quarter Trim Panel*
- 2 Belt, Center Seat] 210 860 32 85 9A86 190.00
- 3 Buckle, Belt] 210 860 44 69 9A86 #.3 80.00  
*#Black listed, Order by Application*  
*#w/Rear Seat Removed*
- 4 Brkt, Adjuster R/L 210 860 00 88 38.50

**FRONT DOOR**

Use Procedure Explanations 16 and 28 with the following text.

**SHEET METAL**

- Refinish Door Outside.....R/L 2.2
- Add for Jambes & Interior.....R/L 1.0
- R&I Door Assy.....R/L 2.5
- Add to R&I Door Shell
- To R&I/R&R Base Model Mechanical Components....R/Lm #.5  
*#Includes R&I/R&R Side Air Bag Module*



036-03002

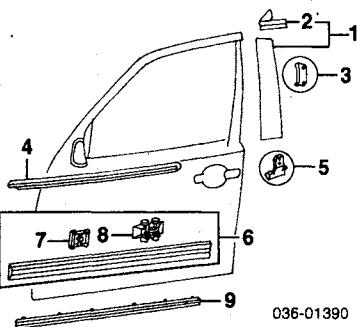
- 1 Shell, Door R 210 720 16 05 #6.5 570.00  
L 210 720 15 05 #6.5 570.00  
*#Includes R&I Mirror Assy*
- 2 Module, Frt Side Air Bag-See Air Bag System Section

**EXTERIOR TRIM**

- Refinish Side Moulding.....R/L .4
- Refinish Mirror Housing.....R/L .5
- R&I Window Frame Moulding.....R/L .4
- R&I Belt Moulding.....R/L #.8  
*#Includes R&I Mirror Assy*
- R&I Side Moulding.....R/L .3
- R&I Lower Moulding.....R/L .3
- R&I Rear View Mirror.....R/L .5

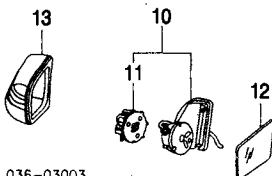
Illustration Located in Next Column

- 1 Moulding Assy, Window Frame  
Avantgarde Pkg] R 210 690 22 87 9B98 .4 134.00  
L 210 690 21 87 9B98 .4 134.00  
Classic Model, Elegance Pkg R 210 690 02 87 .4 39.50  
L 210 690 01 87 .4 39.50  
*#Black listed, Order by Application*
- 2 Pad, Moulding] R 210 698 30 97 5.25



036-01390

- L 210 698 29 97 5.25  
*#Included w/Window Frame Moulding Assy*
- 3 Brkt, Upper (2/Side) R/L 202 725 01 21 .40
- 4 Moulding, Outer Belt R 210 690 08 80 #.8 64.00  
L 210 690 07 80 #.8 64.00  
*#Includes R&I Mirror Assy*
- 5 Clip, Moulding R/L 008 988 06 78 1.20
- 6 Moulding Assy, Side] Black R 210 690 04 82 9040 .3 159.00  
L 210 690 03 82 9040 .3 159.00  
Paint to Match R 210 690 04 82 9999 .3 65.00  
L 210 690 03 82 9999 .3 65.00
- #Order by Application*
- 7 Clip, Midg] R/L 008 988 21 78 1.20
- 8 Clip, Midg] (5/Side) R/L 007 988 71 78 1.70  
*#Included w/Side Moulding Assy*
- 9 Moulding, Lower R 210 690 08 82 .3 16.00  
L 210 690 07 82 .3 16.00



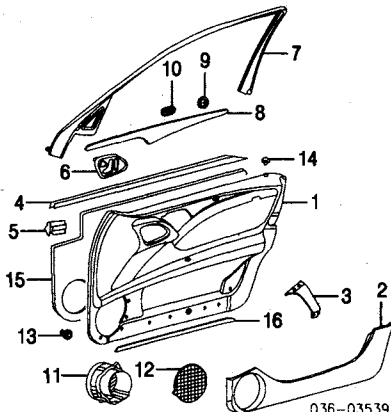
036-03003

- 10 Mirror Assy, Rear View  
w/Memory Pkg R 210 810 04 76 .6 160.00  
w/Auto Dimmer L 210 810 09 76 .6 210.00  
R 210 810 04 76 .6 160.00  
w/o Auto Dimmer L 210 810 03 76 .6 119.00  
R 210 810 04 76 .6 160.00  
w/o Memory Pkg L 210 810 07 76 .6 119.00
- 11 Motor, Glass Adjust] w/Memory Pkg R/L 203 820 22 42 .6 122.00  
w/o Memory Pkg R 203 820 24 42 .6 65.00  
L 203 820 23 42 .6 65.00  
*#Included w/Rear View Mirror Assy*
- 12 Glass, Mirror w/Auto Dimmer R 210 810 12 21 84.00  
L 210 810 13 21 535.00  
R 210 810 08 21 72.00  
L 210 810 07 21 72.00
- 13 Housing, Mirror] R 210 810 02 64 9040 .6 182.00  
L 210 810 01 64 9040 .6 182.00  
*#Black listed, Order by Application*

**INTERIOR TRIM**

- R&I Trim Panel.....R/L .6

NOTE: All Parts in this section are included in R&R Trim Panel unless noted otherwise.



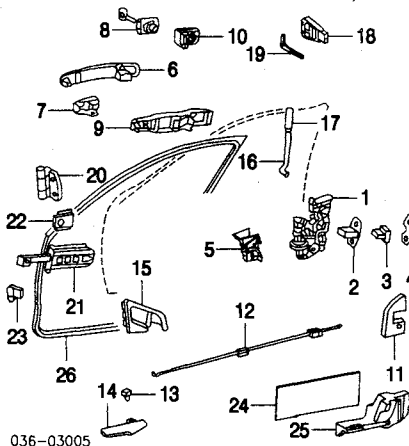
036-03539

- 1 Panel, Trim] Fabric R/L N.A. .9 0.00

- Leather Mercedes-Benz R 210 720 10 51 .9 1020.00  
L 210 720 09 51 .9 1020.00
- Nappa R 210 720 04 51 .9 1660.00  
L 210 720 03 51 .9 1660.00
- Standard w/Sport Pkg R 210 720 06 51 .9 1770.00  
L 210 720 05 51 .9 1770.00
- w/o Sport Pkg R 210 720 78 72 .9 1480.00  
L 210 720 77 72 .9 1460.00
- 2 Panel, Lower Trim] R 210 720 10 58 114.00  
L 210 720 09 58 114.00
- 3 Handle, Pull] R 210 810 14 54 35.00  
L 210 810 13 54 35.00
- #Order by Application*
- 4 Moulding, Inner Belt R/L 210 725 02 65 15.50
- 5 Clip, Inner Moulding (4/Side) R/L 202 988 24 78 .50  
L 210 720 02 48 138.00
- 6 Cover, Seat Switch] L 210 720 01 48 141.00  
R 210 725 02 71 .3 23.50  
L 210 725 01 71 .3 19.00
- 7 Cover, Window Frame] R 210 720 08 22 212.00  
L 210 720 07 22 238.00
- 8 Midg, Woodgrain Garnish] *#Order by Application*
- 9 Clip, Midg (3/Side) R/L 001 994 12 45 .40
- 10 Clip, Trim (4/Side) R/L 003 994 51 45 .50
- 11 Speaker, Radio w/Bose Sound System R 210 820 81 02 #.3 154.00  
L 210 820 82 02 #.3 154.00
- w/o Bose Sound System R 210 820 48 02 #.3 50.00  
L 210 820 47 02 #.3 51.00  
*#w/Trim Panel Removed, Not Included in R&R Trim Panel*
- 12 Cover, Speaker R 210 727 12 88 14.00  
L 210 727 13 88 14.00
- 13 Clip, Trim Panel (9) R/L 006 988 43 78 .50
- 14 Bushing, Lock Knob R/L 201 992 12 05 1.50
- 15 Shield, Moisture R/L 210 727 09 30 # 2.00  
*#w/Trim Panel Removed, Not Included in R&R Trim Panel*
- 16 Seal, Trim Panel R 210 727 14 30 14.00  
L 210 727 13 30 14.00

**HARDWARE**

- Refinish Outside Handle.....R/L .4
- Refinish Upper Hinge.....R/L .2
- Refinish Lower Hinge.....R/L .2
- R&I Outside Handle.....R/L #1.0  
*#Includes R&I Trim Panel*



036-03005

- 1 Latch R 202 720 44 35 #.3 164.00  
L 202 720 35 35 #.3 105.00  
*#w/Trim Panel Removed*
- 2 Striker Sedan R/L 202 720 02 04 #.2 10.50  
Wagon R/L 208 720 01 04 #.2 10.50
- 3 Insert, Striker R/L 140 723 00 79 #.2 1.40
- 4 Plate, Striker R/L 201 723 00 11 #.2 12.50  
*#R&R One Side Complete*  
*#w/Trim Panel Removed*
- 5 Cover, Latch R 202 723 14 08 5.50  
L 202 723 13 08 5.50
- 6 Handle, Outside] Black R 208 760 02 70 9040 #.4 62.00  
L 208 760 01 70 9040 #.4 62.00  
Paint to Match R 208 760 02 70 9999 #.4 79.00  
L 208 760 01 70 9999 #.4 79.00  
*#Order by Application*  
*#w/Trim Panel Removed, Includes R&R Cylinder & Key*
- 7 Pad, Handle Front R/L 202 766 03 05 1.20
- 8 Cylinder, Lock] L 208 760 02 05 #.4 117.00  
*#Order by Key Code*  
*#Included in R&R Outside Handle*
- 9 Plate, Mounting R/L 210 760 06 34 29.50
- 10 Guide, Handle] R 208 760 04 77 102.00  
L 208 760 11 77 169.00
- 11 Trim, Latch] R 210 723 02 24 1.20  
L 210 723 01 24 1.20  
*#Order by Application*
- 12 Rod, Handle Actuate R/L 210 760 00 04 5.75
- 13 Clip, Inside Handle R/L 202 997 12 81 1.40

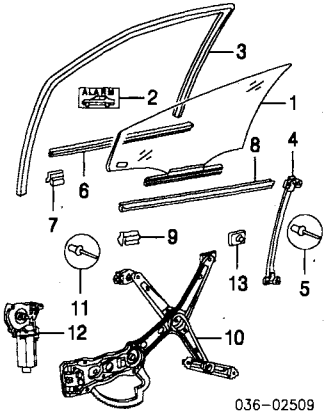
# M-BENZ E-CLASS SED 00-02/ WGN 2000-03

## FRONT DOOR Cont'd

### HARDWARE Cont'd

14 Handle, Inside	R 210 766 02 24	10.00	
	L 210 766 01 24	10.00	
15 Pocket, Inside Handle w/Courtesy Lamp	R 210 766 04 64	4.50	
	L 210 766 03 64	4.50	
w/o Courtesy Lamp	R 210 766 06 64	4.50	
	L 210 766 05 64	4.50	
16 Rod, Locking	R 210 723 04 39	2.40	
	L 210 723 03 39	2.40	
17 Knob, Lock	R/L 110 760 05 65	4.30	
18 Key, Infrared			
Sedan	203 766 10 06	152.00	
Wagon	203 766 14 06	104.00	
19 Blade, Infrared Key	00 208 766 16 06	25.00	
	01-03 203 766 01 06	35.00	
*Order by Application			
20 Hinge, Door			
Upper	R/L 210 720 00 37	#.6	22.50
Lower	R/L 210 720 00 37	#.6	22.50
*w/Door Removed, R&R Both One Side 1.0			
21 Strap, Check	R/L 202 720 02 16	#.3	26.50
*w/Trim Panel Removed			
22 Brkt, Check Strap	R/L 202 723 00 14		.50
23 Seal, Check Strap	R/L 202 727 24 30		2.00
24 Insulation, Door Panel	R/L 168 682 03 08		10.50
25 Filler, Panel Lower	R 210 725 04 86		4.90
	L 210 725 03 86		4.90
26 Weatherstrip	R 210 720 02 78	.6	87.00
	L 210 720 01 78	.6	87.00

### GLASS & PARTS



036-02509

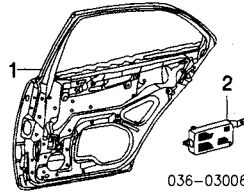
1 Glass, Front Door Mercedes-Benz (Tint)			
Blue	R 210 720 06 18	1.5	92.00
	L 210 720 05 18	1.5	92.00
Green	R 210 720 02 18	1.5	92.00
	L 210 720 01 18	1.5	92.00
NAGS (Green)	R FD05562GTN	1.5	168.45
	L FD05563GTN	1.5	168.45
2 Label, Anti-Theft-See Information Labels Section			
3 Channel, Run	R 210 725 10 25		43.50
	L 210 725 09 25		43.50
4 Rail, Guide Rear	R/L 210 720 03 15		10.00
5 Rivet, Guide Rail (4/Side)	R/L 003 990 24 97		.50
6 W/Strip, Outer Belt	R/L 210 725 01 65		27.00
7 Clip, Outer W/Strip (4/Side)	R/L 202 988 00 78		1.00
8 Moulding, Inner Belt-See Interior Trim Section			
9 Clip, Inner W/Strip-See Interior Trim Section			
10 Regulator, Window	R 210 720 12 46	#.4	112.00
	L 210 720 11 46	#.4	112.00
*w/Glass Removed			
11 Rivet, Regulator (6/Side)	R/L 003 990 24 97		.50
12 Motor, Regulator	R 210 820 58 42	#.2	184.00
	L 210 820 57 42	#.2	184.00
*w/Regulator Removed			
13 Jaw, Sliding	R/L 210 720 00 42		6.75

## REAR DOOR

Use Procedure Explanations 16 and 28 with the following text.

### SHEET METAL SEDAN

Refinish Door Outside	R/L	2.2
Add for Jamb & Interior	R/L	1.0
R&I Door Assy	R/L	2.0
Add to R&R Door Shell		
To R&I/R&R Base Model Mechanical Components...	R/Lm	#.5
*Includes R&I/R&R Side Air Bag Module		

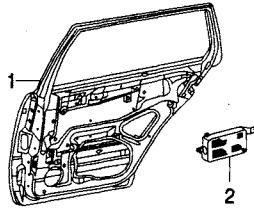


036-03006

1 Shell, Door	R 210 730 24 05	5.5	585.00
	L 210 730 23 05	5.5	585.00
2 Module, Rear Side Air Bag-See Air Bag System Section			

### SHEET METAL WAGON

Refinish Door Outside	R/L	2.2
Add for Jamb & Interior	R/L	1.0
R&I Door Assy	R/L	2.0
Add to R&R Door Shell		
To R&I/R&R Base Model Mechanical Components ...	R/Lm	#.5
*Includes R&I/R&R Side Air Bag Module		

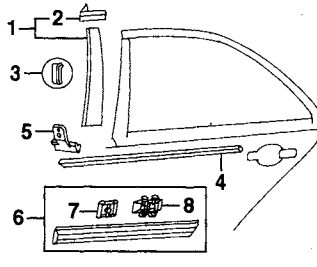


036-03007

1 Shell, Door	R 210 730 26 05	5.5	610.00
	L 210 730 25 05	5.5	610.00
2 Module, Rear Side Air Bag-See Air Bag System Section			

### EXTERIOR TRIM SEDAN

Refinish Side Moulding	R/L	.4
R&I Window Frame Moulding	R/L	.4
R&I Belt Moulding	R/L	.4
R&I Side Moulding	R/L	.3
R&I Lower Moulding	R/L	.3



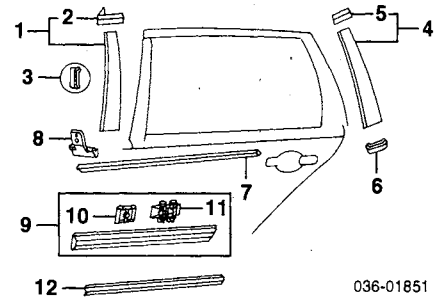
036-01396

1 Moulding Assy, Window Frame Avantgarde Pkg	R 210 690 24 87 9B98	.4	134.00
	L 210 690 23 87 9B98	.4	134.00
	R 210 690 04 87	.4	39.50
	L 210 690 03 87	.4	39.50
*Black listed, Order by Application			
2 Pad, Moulding	R 210 698 32 97		5.25
	L 210 698 31 97		5.25
*Included w/Window Frame Moulding Assy			
3 Brkt, Upper (2/Side)	R/L 202 725 01 21		.40
4 Moulding, Outer Belt	R 210 690 10 80	.4	72.00
	L 210 690 09 80	.4	72.00
5 Clip, Moulding	R/L 008 988 06 78		1.20
6 Moulding Assy, Side			
Black	R 210 690 06 82 9040	.3	144.00
	L 210 690 05 82 9040	.3	144.00
Paint to Match	R 210 690 06 82 9999	.3	59.00
	L 210 690 05 82 9999	.3	59.00
*Order by Application			
7 Clip, Midg	R/L 008 988 21 78		1.20
8 Clip, Midg (4/Side)	R/L 007 988 71 78		1.70
*Included w/Side Moulding Assy			
9 Moulding, Lower	R 210 690 10 82	.3	14.00
	L 210 690 09 82	.3	14.00

### EXTERIOR TRIM WAGON

Refinish Side Moulding	R/L	.4
R&I Window Frame Moulding		
Front	R/L	.4
Rear	R/L	.4

R&I Belt Moulding	R/L	.4
R&I Side Moulding	R/L	.3
R&I Lower Moulding	R/L	.3



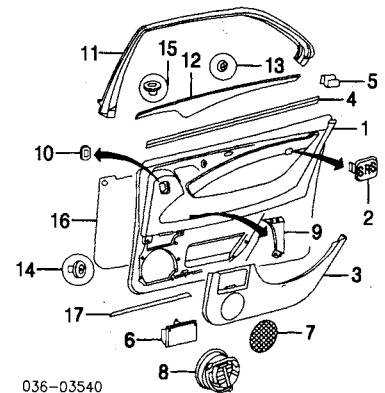
036-01851

1 Moulding Assy, Front Window Frame Avantgarde Pkg	R 210 690 24 87 9B98	.4	134.00
	L 210 690 23 87 9B98	.4	134.00
	R 210 690 04 87	.4	39.50
	L 210 690 03 87	.4	39.50
*Black listed, Order by Application			
2 Pad, Moulding	R 210 698 32 97		5.25
	L 210 698 31 97		5.25
*Included w/Front Window Frame Moulding Assy			
3 Brkt, Upper (2/Side)	R/L 202 725 01 21		.40
4 Moulding Assy, Rear Window Frame			
Avantgarde Pkg	R 210 690 26 87 9B98	.4	0.00
	L 210 690 25 87 9B98	.4	0.00
	R 210 690 08 87	.4	87.00
	L 210 690 07 87	.4	87.00
*Black listed, Order by Application			
5 Pad, Moulding	R 210 698 22 97		5.25
	L 210 698 21 97		5.25
*Included w/Rear Window Frame Moulding Assy			
6 Clip, Lower	R/L 008 988 83 78		.90
7 Moulding, Outer Belt	R 210 690 12 80	.4	72.00
	L 210 690 11 80	.4	72.00
8 Clip, Midg	R/L 008 988 06 78		1.20
9 Moulding Assy, Side			
White	R 210 690 06 82 9143	.3	144.00
	L 210 690 05 82 9143	.3	144.00
Paint to Match	R 210 690 06 82 9999	.3	59.00
	L 210 690 05 82 9999	.3	59.00
*Order by Application			
10 Clip, Midg	R/L 008 988 21 78		1.20
11 Clip, Midg (4/Side)	R/L 007 988 71 78		1.70
*Included w/Side Moulding Assy			
12 Moulding, Lower	R 210 690 10 82	.3	14.00
	L 210 690 09 82	.3	14.00

### INTERIOR TRIM

R&I Trim Panel	R/L	.6
----------------	-----	----

NOTE: All Parts in this section are included in R&R Trim Panel unless noted otherwise.



036-03540

1 Panel, Trim			
Sedan			
Fabric			
Avantgarde Pkg	R 210 730 62 96 9C42	.8	0.00
	L 210 730 61 96 9C42	.8	0.00
Elegance Pkg	R 210 730 58 96 9C41	.8	0.00
	L 210 730 57 96 9C41	.8	0.00
Leather			
Mercedes-Benz	R 210 737 28 71	.8	695.00
	L 210 737 27 71	.8	0.00
Nappa	R 210 730 78 96 9C05	.8	1480.00
	L 210 730 77 96 9C05	.8	1480.00
Standard			
w/Sport Pkg	R 210 730 90 96 9B87	.8	1770.00
	L 210 730 89 96 9B87	.8	1770.00
w/o Sport Pkg	R 210 730 70 96 9B50	.8	1460.00
	L 210 730 69 96 9B50	.8	1460.00
Wagon			
Fabric			
Avantgarde Pkg	R 210 730 98 96 9C42	.8	0.00

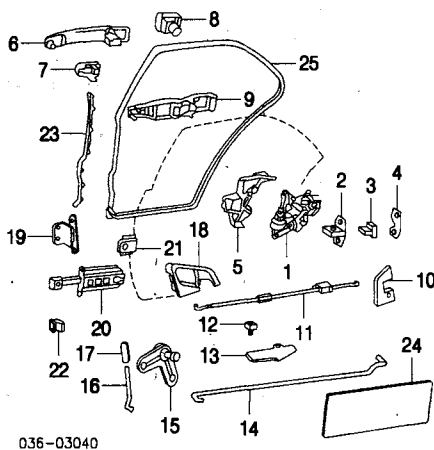


# M-BENZ E-CLASS SED 00-02/ WGN 2000-03

Elegance Pkg	L 210 730 97 96 9C42	.8	0.00
	R 210 730 94 96 9C41	.8	0.00
	L 210 730 93 96 9C41	.8	0.00
Leather			
Mercedes-Benz	R 210 737 32 71 9C73	.8	695.00
	L 210 737 31 71 9C73	.8	695.00
Nappa	R 210 737 18 71 9B51	.8	0.00
	L 210 737 17 71 9B51	.8	0.00
Standard	R 210 737 06 71 9B50	.8	1460.00
	L 210 737 05 71 9B50	.8	1460.00
2 Badge, "SRS" Fabric Panel	R/L 210 727 09 88 9B51		1.00
Leather Panel			
w/Sport Pkg	R/L 210 720 13 48 9B51		0.00
w/ Sport Pkg	R/L 210 727 10 88 9B51		8.75
3 Panel, Lower Trim	R 210 730 09 74 9C89		63.00
	L 210 730 07 74 9C89		60.00
<i>Anthracite listed, Order by Application</i>			
4 Moulding, Inner Belt	R/L 210 735 04 65		13.50
5 Clip, Belt Moulding (5/Side)	R/L 202 988 24 78		.50
6 Ashtray	R/L 210 810 10 30 9B51		27.50
7 Cover, Speaker	R 210 737 06 88 9B51		14.00
	L 210 737 05 88 9B51		14.00
<i>Anthracite listed, Order by Application</i>			
8 Speaker, Radio	R 210 820 56 02	#3	100.00
	L 210 820 55 02	#3	100.00
<i>#w/Trim Panel Removed, Not Included in R&amp;R Trim Panel</i>			
9 Handle, Pull	R 210 810 12 54 9C09		35.00
	L 210 810 11 54 9C09		35.00
10 Cover, Window Switch Plastic Version	R 210 821 02 59 9B51		1.90
	L 210 821 01 59 9B51		1.90
Woodgrain Version	R 210 821 13 59		65.00
	L 210 821 12 59		65.00
11 Cover, Window Frame Sedan	R 210 735 02 71 9B51	.2	19.50
	L 210 735 01 71 9B51	.2	19.50
Wagon	R 210 735 04 71 9B51	.2	19.50
	L 210 735 03 71 9B51	.2	19.50
<i>Anthracite listed, Order by Application</i>			
12 Midg. Woodgrain Garnish	R 210 730 06 22		171.00
	L 210 730 05 22		208.00
<i>Order by Application</i>			
13 Clip, Midg (7/Side)	R/L 003 994 51 45		.50
14 Clip, Trim Panel (6/Side)	R/L 006 988 43 78		.50
15 Bushing, Lock Knob	R/L 201 992 12 05		1.50
16 Shield, Moisture	R/L 210 737 10 30	#	3.70
<i>#w/Trim Panel Removed, Not Included in R&amp;R Trim Panel</i>			
17 Seal, Lower	R 210 737 22 30		14.00
	L 210 737 21 30		14.00

## HARDWARE

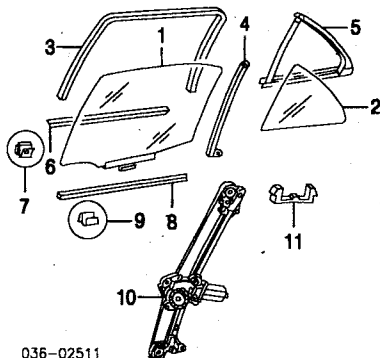
Refinish Outside Handle	R/L	.4
R&I Outside Handle	R/L	#9
<i>#Includes R&amp;I Trim Panel</i>		



1 Latch	R 202 730 08 35	#3	100.00
	L 202 730 07 35	#3	100.00
<i>#w/Trim Panel Removed</i>			
2 Striker			
Sedan	R/L 202 720 02 04	#2	10.50
Wagon	R/L 208 720 01 04	#2	10.50
3 Insert, Striker	R/L 140 723 00 79	#2	1.40
4 Plate, Striker	R/L 201 723 00 11	#2	12.50
<i>#R&amp;R One Side Complete</i>			
Actuator, Power Lock	R/L 202 800 11 75	#3	27.00
<i>#w/Trim Panel Removed</i>			
5 Cover, Latch	R 202 733 04 08		3.00
	L 202 733 03 08		3.00
6 Handle, Outside Black	R 210 760 14 70 9040	#3	44.50
	L 210 760 13 70 9040	#3	44.50
Paint to Match	R 210 760 14 70 9999	#3	53.00
	L 210 760 13 70 9999	#3	53.00
<i>Order by Application</i>			
<i>#w/Trim Panel Removed</i>			
7 Pad, Handle Front	R/L 202 766 03 05		1.20
8 Covering, Handle	R 210 766 02 56 9040		22.50
	L 210 766 01 56 9040		22.50
<i>Black listed, Order by Application</i>			

9 Plate, Mounting	R 210 760 04 34		15.00
	L 210 760 03 34		15.00
10 Trim, Latch	R 210 723 02 24 9B51		2.90
	L 210 723 01 24 9B51		2.90
<i>Anthracite listed, Order by Application</i>			
11 Rod, Handle Actuate	R/L 210 760 02 04		6.50
12 Clip, inside Handle	R/L 202 987 12 81		1.40
13 Handle, Inside	R 210 766 02 24		10.00
	L 210 766 01 24		10.00
14 Rod, Locking	R 210 733 06 39		5.50
	L 210 733 05 39		5.50
15 Lever, Locking	R/L 210 730 02 21		2.20
16 Rod, Locking	R/L 210 733 00 39		2.20
17 Knob, Lock	R/L 110 760 05 65		4.30
18 Pocket, Inside Handle w/Courtesy Lamp	R 210 766 06 64 9B51		4.50
	L 210 766 05 64 9B51		4.50
	R 210 766 04 64 9B51		4.50
	L 210 766 03 64 9B51		4.50
<i>w/o Courtesy Lamp</i>			
19 Hinge Upper-See Rocker/Pillars/Floor Section Lower-See Rocker/Pillars/Floor Section			
	#/Included w/Center Pillar Assy		
20 Strap, Check #w/Trim Panel Removed	R/L 210 720 01 16	#3	34.50
21 Brkt, Check Strap	R/L 170 723 00 14		1.40
22 Seal, Check Strap	R/L 202 727 24 30		2.00
23 Rail, Weatherstrip	R 210 737 02 35		2.20
	L 210 737 01 35		2.20
24 Insulation, Door Panel	R/L 168 682 03 08		10.50
25 Weatherstrip Sedan	R 210 730 02 78	.6	92.00
	L 210 730 01 78	.6	92.00
Wagon	R 210 730 06 78	.8	92.00
	L 210 730 05 78	.6	92.00

## GLASS & PARTS SEDAN

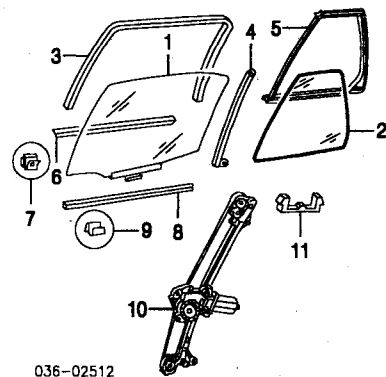


036-02511			
1 Glass, Rear Door Front Mercedes-Benz (Tint)			
Blue	R 210 730 08 18	1.8	75.00
	L 210 730 07 18	1.8	75.00
Green	R 210 730 02 18	1.8	64.00
	L 210 730 01 18	1.8	64.00
NAGS (Green)	R FD05564GTN	1.8	162.30
	L FD05565GTN	1.8	162.30
2 Glass, Rear Door Rear (Fixed) Mercedes-Benz (Tint)			
Blue	R 210 735 10 09	#3	33.50
	L 210 735 09 09	#3	33.50
Green	R 210 735 02 09	#3	25.00
	L 210 735 01 09	#3	25.00
NAGS (Green)	R FV05566GTN	#3	163.00
	L FV05567GTN	#3	163.00
<i>#w/Front Glass Removed</i>			
3 Channel, Run	R 210 735 02 25		32.50
	L 210 735 01 25		32.50
4 Channel, Division	R 210 730 02 19		33.50
	L 210 730 01 19		33.50
5 Seal, Glass	R 210 735 02 24		14.00
	L 210 735 01 24		14.00
6 W/Strip, Outer Belt	R/L 210 735 01 65		15.50
7 Clip, Outer W/Strip (3/Side)	R/L 202 988 00 78		1.00
8 Moulding, Inner Belt-See Interior Trim Section			
9 Clip, Belt Moulding-See Interior Trim Section			
10 Regulator, Window	R 210 730 16 46	#4	112.00
	L 210 730 15 46	#4	112.00
<i>#w/Glass Removed</i>			
Motor, Regulator	R 210 820 54 42	#2	172.00
	L 210 820 53 42	#2	172.00
<i>#w/Regulator Removed</i>			
11 Lock, Regulator/Glass	R/L 201 735 00 85		.50

## GLASS & PARTS WAGON

Illustration Located in Next Column

1 Glass, Rear Door Front			
--------------------------	--	--	--



036-02512

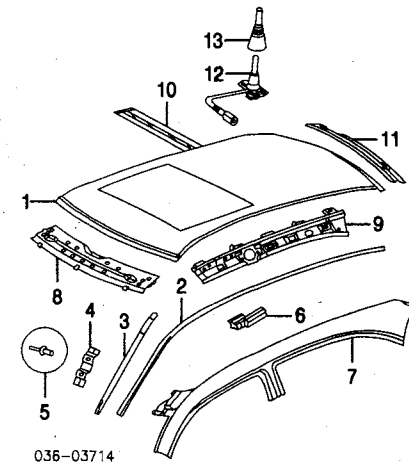
Mercedes-Benz (Tint)			
Blue	R 210 730 12 18	1.8	0.00
	L 210 730 11 18	1.8	0.00
Green	R 210 730 06 18	1.8	64.00
	L 210 730 05 18	1.8	64.00
NAGS (Green)	R FD05582GTN	1.8	170.70
	L FD05583GTN	1.8	170.70
2 Glass, Rear Door Rear (Fixed) Mercedes-Benz (Tint)			
Blue	R 210 735 12 09	#3	0.00
	L 210 735 11 09	#3	0.00
Green	R 210 735 06 09	#3	25.00
	L 210 735 05 09	#3	25.00
NAGS (Green)	R FV05584GTN	#3	170.35
	L FV05585GTN	#3	170.35
<i>#w/Front Glass Removed</i>			
3 Channel, Run	R 210 735 04 25		32.50
	L 210 735 03 25		32.50
4 Channel, Division	R 210 730 06 19		33.50
	L 210 730 05 19		33.50
5 Seal, Glass	R 210 735 04 24		14.00
	L 210 735 03 24		14.00
6 W/Strip, Outer Belt	R/L 210 735 01 65		15.50
7 Clip, Outer W/Strip (3/Side)	R/L 202 988 00 78		1.00
8 Moulding, Inner Belt-See Interior Trim Section			
9 Clip, Belt Moulding-See Interior Trim Section			
10 Regulator, Window	R 210 730 16 46	#4	112.00
	L 210 730 15 46	#4	112.00
<i>#w/Glass Removed</i>			
Motor, Regulator	R 210 820 54 42	#2	172.00
	L 210 820 53 42	#2	172.00
<i>#w/Regulator Removed</i>			
11 Lock, Regulator/Glass	R/L 201 735 00 85		.50

## ROOF

Use Procedure Explanations 17 and 28 with the following text.

## SHEET METAL/EXTERIOR TRIM SEDAN

Refinish Roof Outside		2.8
Add to Edge		1.2
Refinish Side Outer Roof Rail	R/L	1.3
Refinish Drip Moulding	R/L	.6



036-03714

1 Panel, Roof w/Sunroof w/o Sunroof	210 650 01 09	28.5	690.00
	210 657 00 09	27.0	360.00
2 Moulding, Drip Black	R 210 690 60 62 9040	#1.0	174.00
	L 210 690 59 62 9040	#1.0	174.00
Paint to Match	R 210 690 60 62 9999	#1.0	174.00
	L 210 690 59 62 9999	#1.0	174.00
<i>Order by Application</i>			

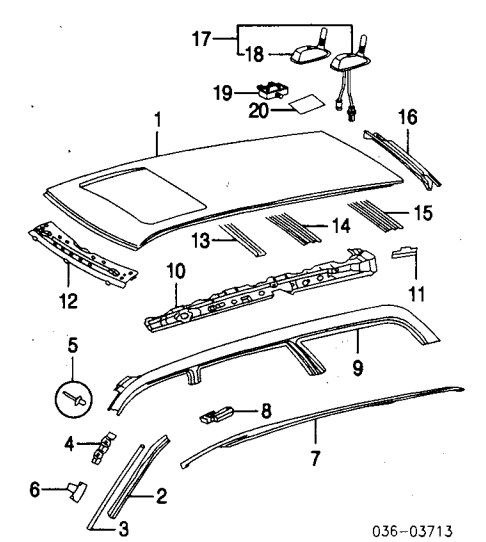
# M-BENZ E-CLASS SED 00-02/ WGN 2000-03

## ROOF Cont'd

SHEET METAL/EXTERIOR TRIM			
SEDAN Cont'd			
3 Seal, Moulding	R 210 698 02 98	#1.0	6.75
	L 210 698 01 98	#1.0	6.75
<b>#R&amp;R One Side Complete</b>			
4 Clip, Front (3/Side)	R/L 202 988 28 78	1.00	
5 Rivet (6/Side)	R/L 910001 003101	.50	
6 Clip, Mldg Upper (5/Side)	R/L 210 690 02 13	2.40	
7 Rail, Outer Side	R 210 637 02 47	#12.5	344.00
	L 210 637 01 47	#12.5	344.00
<b>#w/Glass, Trim &amp; Necessary Bolted Parts Removed, w/Roof Removed Deduct 4.0, w/Quarter Removed Deduct 1.0</b>			
8 Header, Front	210 650 00 31	3.0	66.00
9 Rail, Inner Side	R 210 630 04 35	3.5	62.00
	L 210 630 03 35	3.5	62.00
10 Reinf, Roof Center w/o Sunroof	140 651 00 70	9.75	
11 Header, Rear	210 651 07 01	3.0	46.00
12 Antenna, Telephone	210 820 21 75	#1.2	76.00
<b>#Includes Loosen Headliner at Rear for Access</b>			
13 Cap, Antenna Base, Antenna	202 827 00 31	7.00	
	123 899 00 97	5.50	

## SHEET METAL/EXTERIOR TRIM WAGON

Refinish Roof Outside	3.1
Add to Edge	1.2
Refinish Side Outer Roof Rail	R/L 2.0
Refinish Front Drip Moulding	R/L .3
Refinish Top Roof Moulding	R/L .4
Refinish Phone Antenna	.3



1 Panel, Roof w/Sunroof	210 650 03 09	29.0	780.00
	L 210 657 03 09	27.0	520.00
2 Mldg, Front Drip	R 210 698 22 62	#1.0	69.00
	L 210 698 21 62	#1.0	69.00
3 Seal, Mldg	R 210 698 02 98	#1.0	6.75
	L 210 698 01 98	#1.0	6.75
<b>#R&amp;R One Side Complete</b>			
4 Clip, Front (3/Side)	R/L 202 988 28 78	1.00	
5 Rivet (6/Side)	R/L 910001 003101	.50	
6 Tube, Spacer (3/Side)	R/L 210 671 01 41	1.20	
7 Mldg, Roof Top	R 210 690 50 62	.5	132.00
	L 210 690 49 62	.5	132.00
8 Clip, Mldg (8/Side)	R/L 210 690 05 13	2.40	
9 Rail, Outer Side	R 210 637 04 47	#13.5	344.00
	L 210 637 03 47	#13.5	344.00
<b>#w/Glass, Trim &amp; Necessary Bolted Parts Removed, w/Roof Removed Deduct 5.0, w/Quarter Removed Deduct 1.0</b>			
10 Rail, Inner Side	R 210 630 08 35	3.0	140.00
	L 210 630 07 35	3.0	140.00
11 Seal, Rail	R/L 210 637 00 35	3.50	
12 Header, Front	210 650 00 01	3.0	66.00
13 Reinf, Roof Front w/Sunroof (3)	140 651 00 70	9.75	
	w/o Sunroof (4)	9.75	
14 Reinf, Roof Center (3)	140 651 01 16	31.50	
15 Reinf, Roof Rear	210 650 05 26	43.50	
16 Header, Rear	210 650 03 01	3.0	69.00
17 Antenna Assy, Phone Black (Code 040)	210 820 20 75 9040	#1.2	430.00
	Paint to Match	#1.2	236.00
<b>#Includes Loosen Headliner at Rear for Access</b>			
18 Cap, Antenna (a)	210 827 00 31 9040	104.00	
	Paint to Match	104.00	
<b>#Order by Application</b>			
<b>(a) Included w/Phone Antenna Assy</b>			

## 19 Adapter, Antenna-See Quarter Panel Section

20 Base, Antenna	123 899 00 97	5.50
<b>#As Required</b>		

## INTERIOR TRIM SEDAN

R&I Headliner w/Sunroof	6.0
w/o Sunroof	5.5

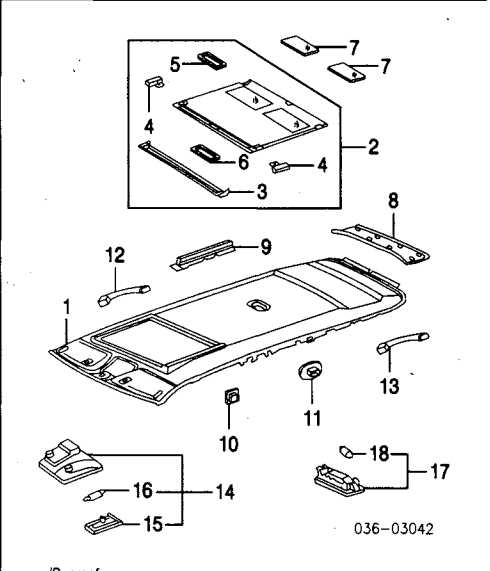
1 Headliner, Roof	210 690 65 50	6.0	515.00
	w/Sunroof	N.A.	5.5
	w/o Sunroof	210 780 01 40	.5
<b>#Order by Application</b>			
2 Headliner Assy, Sunroof	202 784 01 44	16.00	
3 Cover, Front	R/L 210 780 00 57	2.50	
4 Slide, Headliner (2/Side)	202 784 04 81	6.50	
5 Handle, Upper	202 784 05 81	6.50	
6 Handle, Lower	<b>#Included w/Sunroof Headliner Assy</b>		
7 Cover, Trim	R/L 210 784 01 44	9.25	
8 Headliner, Slide	R 210 780 04 40	.3	15.00
	L 210 780 03 40	.3	15.00
9 Lamp Assy, Front	208 820 70 01	.3	580.00
	w/Sunroof	208 820 79 01	.3
<b>#Order by Application</b>			
10 Lens	R 202 825 02 10	.3	14.50
	L 202 825 01 10	.3	14.50
11 Bulb	R/L 072601 012120	1.90	
<b>#Included w/Front Lamp Assy</b>			
12 Bracket, Headliner	R/L 210 695 00 14	2.00	
13 Badge, "SRS"	R/L 210 817 27 20	1.90	
14 Handle, Front Assist	R/L 208 810 01 51	.2	15.50
15 Handle, Rear Assist	R 208 810 04 51	.2	15.50
	L 208 810 03 51	.2	15.50
16 Lamp Assy, Rear Dome	210 820 36 01	#2	290.00
	w/Parktronic	210 820 35 01	#2
<b>#Order by Application</b>			
17 Bulb (a)	072601 012120	#2	1.90
<b>(a) Included w/Rear Dome Lamp Assy</b>			
<b>#R&amp;R Complete</b>			

## INTERIOR TRIM WAGON

R&I Headliner w/Sunroof	6.0
w/o Sunroof	5.5

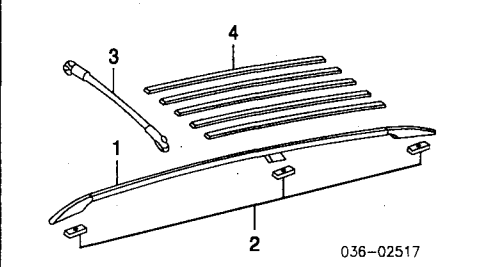
Illustration Located in Next Column

1 Headliner, Roof	210 690 59 50	6.0	550.00
	w/Sunroof	210 690 58 50	5.5
	w/o Sunroof	210 780 01 40	.5
<b>#Order by Application</b>			
2 Headliner Assy, Sunroof	202 784 01 44	16.00	
3 Cover, Front	R/L 210 780 00 57	2.50	
4 Slide, Headliner (2/Side)	202 784 04 81	6.50	
5 Handle, Upper	202 784 05 81	6.50	
6 Handle, Lower	<b>#Included w/Sunroof Headliner Assy</b>		
7 Cover, Trim	R/L 210 784 01 44	9.25	
8 Headliner, Rear	210 690 45 50	.4	67.00
<b>#Order by Application</b>			
9 Headliner, Slide	R 210 780 04 40	.3	15.00
	L 210 780 03 40	.3	15.00
10 Bracket, Headliner	R/L 210 695 00 14	2.00	
11 Badge, "SRS"	R/L 210 817 27 20	1.90	
12 Handle, Front Assist	R/L 208 810 01 51	.2	15.50
13 Handle, Rear Assist	R 208 810 04 51	.2	15.50
	L 208 810 03 51	.2	15.50
14 Lamp Assy, Front	208 820 70 01	.3	580.00
	w/Sunroof	208 820 79 01	.3



w/Sunroof	208 820 40 01	.3	430.00
	To VIN B173367	208 820 70 01	.3
	From VIN B173368	208 820 38 01	.3
	To VIN B173367	208 820 79 01	.3
	From VIN B173368	208 820 79 01	.3
<b>#Order by Application</b>			
15 Lens (a)	R 202 825 02 10	#3	14.50
	L 202 825 01 10	#3	14.50
16 Bulb (a)	R/L 072601 012120	#3	1.90
<b>(a) Included w/Front Lamp Assy</b>			
<b>#R&amp;R Complete</b>			
17 Lamp Assy, Rear Dome w/Parktronic System	210 820 43 01	.3	290.00
	w/o Parktronic System	210 820 42 01	.3
	w/Rear Reading Lamp	210 820 34 01	.3
	w/o Rear Reading Lamp	210 820 34 01	.3
18 Bulb (a)	R/L 072601 012130	.3	1.90
	w/Parktronic System	072601 012120	.3
	w/o Parktronic System	072601 012120	.3
<b>(a) Included w/Rear Dome Lamp Assy</b>			

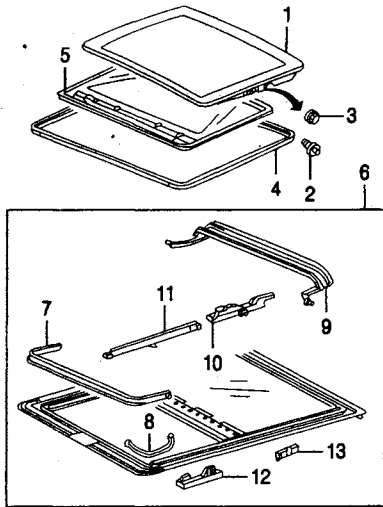
## ROOF LUGGAGE RACK



1 Support & Rail, Side	R 210 840 16 24	#5	344.00
	L 210 840 15 24	#5	344.00
2 Pad Kit	R/L 210 849 04 98	#	32.50
3 Cross, Rail (2)	210 840 04 18	#	230.00
4 Strip, Skid (5)	210 840 00 40	#	25.00
<b>#Included in R&amp;R Roof</b>			

## SUNROOF

O/H Sunroof Assy	#7.5		
<b>#Includes R&amp;R Headliner</b>			
<b>NOTE: All Parts in this section are included in overhaul unless noted otherwise.</b>			
Illustration Located in Next Column			
1 Panel, Sliding/Lifting	210 780 02 21	1.5	690.00
2 Bolt, Sliding Panel (6)	000 984 40 29		2.70
3 Nut, Sliding Panel (8)	126 990 03 51		.50
4 Seal, Panel	210 780 00 98	.5	71.00
5 Headliner Assy, Sunroof-See Roof Section	210 780 06 29	#7.5	1130.00
6 Frame Assy	<b>#Includes R&amp;R Headliner</b>		
7 Baffle, Air	202 784 00 70		44.50
8 Spring, Retainer	R/L 140 782 03 35		1.70
9 Rail, Drip	210 800 00 13		71.00
10 Angle, Rail	R 210 780 02 12		52.00
	L 210 780 01 12		47.50
11 Guide, Angle	R 210 780 02 33		16.00
	L 210 780 01 33		16.00
12 Guide, Frame	R 210 782 02 31		2.90



036-03044

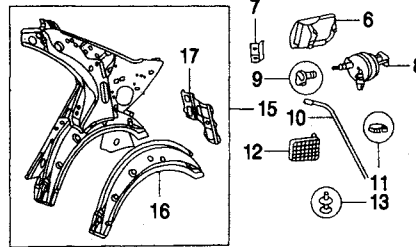
8 Cover, Lower Joint	R/L 202 678 16 37	5.75
9 Cover, Lower	210 678 10 37	4.00
10 Clip, Lower Midg (5)	210 678 01 78	.90

**QUARTER PANEL**

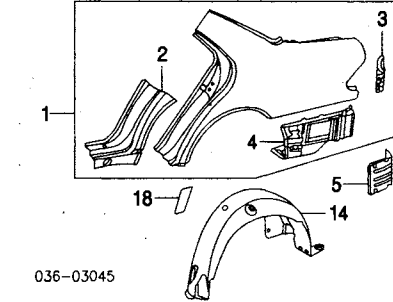
Use Procedure Explanations 20 and 28 with the following text.

**SHEET METAL SEDAN**

Refinish Quarter Outside	R/L	2.1
Add to Edge Panel	R/L	.5
Add for Pillar	R/L	.5
Refinish Fuel Door		#.4
<b>#Included in Refinish Right Quarter Outside</b>		
R&R Both Quarter Panels		34.0
R&R Rear Body Panel & Both Quarter Panels		37.0
Add to R&R Quarter Panel		
To R&I Back Glass		.4



036-03045

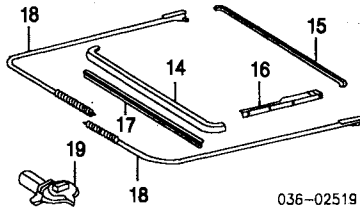


1 Panel Assy, Outer			
Right	R 210 630 28 21	#20.5	590.00
Left	R 210 630 28 21	#20.5	590.00
w/Antenna Hole	R 210 630 25 21	#20.0	590.00
w/o Antenna Hole	R 210 630 27 21	#20.0	590.00
<b>#Deduct 6.5 w/Roof Removed, Deduction Includes Common Surfaces &amp; Included Operations</b>			

2 Reinf, Pillar	R 210 637 22 09	7.0	286.00
	L 210 637 21 09	7.0	286.00
3 Reinf, Rear	R 210 637 12 16	4.00	
	L 210 637 11 16	4.00	
4 Panel, Floor Section	R 210 630 16 60	5.0	57.00
	L 210 630 15 60	5.0	57.00
<b>#Included w/Outer Panel Assy</b>			
5 Reinf, Rear Floor	R/L N.A.		0.00
Canada	R 210 750 01 06	.3	84.00
6 Door, Fuel Filler	R 140 758 16 36	6.25	
7 Spring, Hinge	R 210 800 11 75	.5	34.50
8 Actuator, Power Lock	R 210 800 00 79	4.40	
9 Brkt, Actuator	R 210 639 01 94	7.00	
10 Hose, Drain Pipe	R 000 995 52 44	1.00	
11 Clamp, Hose	R 140 830 00 42	#.2	16.00
12 Vent, Pressure Release			
<b>#w/Bumper Removed</b>			
13 Rivet, Floor Panel	R/L 201 990 01 92	.50	
14 Skirt, Wheelhouse	R 210 698 86 30	.3	55.00
	L 210 698 85 30	.3	55.00
15 Pillar Assy, Inner	R 210 630 64 01	s 7.0	540.00
	L 210 630 63 01	s 7.0	540.00
16 Panel, Whlsee Outer (a)	R 210 637 10 76	4.0	59.00
	L 210 637 09 76	4.0	59.00
17 Brkt, Vapor Canister (a)	R 210 637 04 14	4.40	
<b>(a) Included w/Inner Pillar Assy</b>			
Rivet (b)	R/L 003 990 35 97	.70	
<b>(b) Order by Application</b>			
18 Guard, Stone	R 210 817 54 48	24.50	
	L 210 817 53 48	24.50	

Illustration Located in Next Column

13 Cover, Motor Cable	L 210 782 01 31	2.90
	R/L 210 784 04 56	2.00
<b>#Included w/Frame Assy</b>		



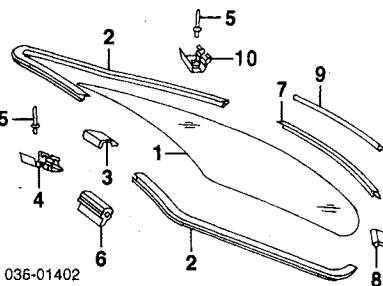
036-02519

14 Rail, Front	124 782 03 24	9.25
15 Rail, Rear	124 782 01 24	30.00
16 Rail, Side	R 210 782 02 24	9.75
	L 210 782 01 24	9.75
17 Rail, Frame Cover	210 780 02 13	19.50
Wagon	R 210 780 01 89	IOH 42.50
18 Cable, Motor	L 210 780 00 89	IOH 42.50
19 Motor, Sunroof	202 820 05 08	.8
Switch, Sunroof Opening	210 820 37 10	.4
		354.00

**BACK WINDOW**

Use Procedure Explanation 19 with the following text.

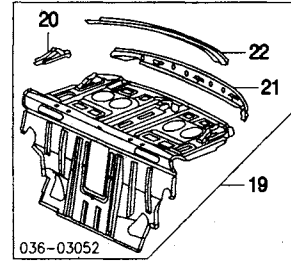
R&I Back Window Glass		#5.9
<b>#Includes Clean Up Old Adhesive as Necessary</b>		



036-01402

1 Glass, Back Window		
Mercedes-Benz (Heated/Tint)		
Green		
w/Navigation System	210 670 25 80	#5.5 470.00
w/o Navigation System	210 670 20 80	#5.5 470.00
Blue	210 670 26 80	#5.5 590.00
NAGS (Green)		
Tempered	FB05568GTN	#5.5 208.05
Laminated	FB20234GTN	#5.5 606.40
<b>#Includes Clean Up Old Adhesive as Necessary</b>		

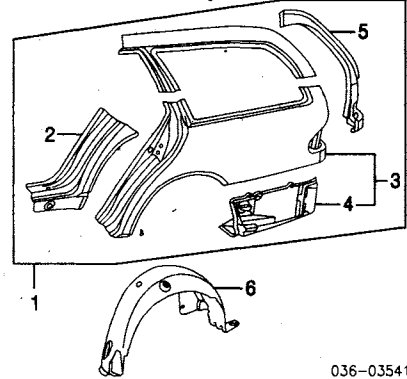
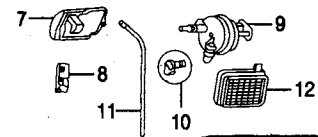
2 Moulding, Reveal		
Upper/Side	R 210 670 14 22	.6 172.00
	L 210 670 13 22	.6 172.00
3 Cover, Upper Joint	202 678 16 37	5.75
Cover, Upper	210 678 04 37	.40
4 Clip, Upper Midg (11)	210 678 00 78	.90
5 Rivet, Midg (11)	910001 003101	.50
6 Brace, Glass (6)		
Heated Glass	202 678 00 79	1.00
Non-Heated Glass	210 678 00 79	1.70
7 Moulding, Reveal Lower	210 670 15 22	.5 105.00



036-03052

**SHEET METAL WAGON**

Refinish Quarter Outside	R/L	2.0
Add to Edge Panel	R/L	.5
Add for Pillar	R/L	.5
Refinish Fuel Door		#.4
<b>#Included in Refinish Right Quarter Outside</b>		
R&R Both Quarter Panels		33.5
R&R Rear Body Panel & Both Quarter Panels		36.0
Add to R&I Quarter Panel		
To R&I Quarter Glass	R/L	.2



036-03541

1 Panel Assy, Quarter	R 210 630 68 01	#18.0	780.00
	L 210 630 67 01	#17.5	780.00
<b>#Deduct 3.0 w/Roof Removed, Deduction Includes Common Surfaces &amp; Included Operations</b>			
2 Reinf, Pillar	R 210 637 22 09	7.0	286.00
	L 210 637 21 09	7.0	286.00
3 Panel Assy, Outer	R 210 630 30 21	17.0	610.00
	L 210 630 29 21	16.5	590.00
4 Panel, Floor Section (a)	R 210 630 18 60	5.0	57.00
	L 210 630 17 60	5.0	57.00
<b>(a) Included w/Outer Panel Assy</b>			
5 Extension, Rear	R 210 630 20 21	3.0	69.00
	L 210 630 19 21	3.0	69.00
<b>#Included w/Quarter Panel Assy</b>			
Rivet (b)	R/L 003 990 35 97	.70	
<b>(b) Order by Application</b>			
6 Skirt, Wheelhouse	R 210 698 88 30	.3	55.00
	L 210 698 87 30	.3	55.00
7 Door, Fuel Filler	R 210 750 05 06	.3	84.00
8 Spring, Hinge	R 140 758 16 36	6.25	
9 Actuator, Power Lock	R 210 800 11 75	.5	34.50
10 Brkt, Actuator	R 210 800 00 79	4.40	
11 Hose, Drain Pipe	R 210 639 01 94	7.00	
12 Vent, Pressure Release	R 140 830 00 42	#.2	16.00

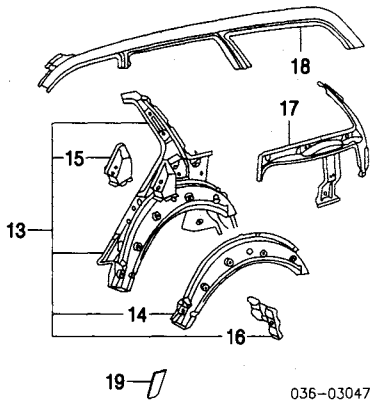
Illustration Located in Next Column

13 Pillar Assy, Inner	R 210 630 58 13	s 7.0	258.00
	L 210 630 57 13	s 7.0	258.00
14 Panel, Whlsee Outer (c)	R 210 637 10 76	4.0	59.00
	L 210 637 09 76	4.0	59.00
15 Pillar, Outer (c)	R 210 630 56 13	94.00	
	L 210 630 55 13	94.00	
16 Brkt, Vapor Canister (c)	R 210 637 04 14	4.40	
<b>(c) Included w/Inner Pillar Assy</b>			
17 Panel, Inner Pillar	R 210 630 08 14	3.0	43.50
	L 210 630 07 14	3.0	43.50
18 Rail, Outer Side-See Roof Section			
19 Guard, Stone	R 210 817 54 48	24.50	

# M-BENZ E-CLASS SED 00-02/ WGN 2000-03

## QUARTER PANEL Cont'd

### SHEET METAL WAGON Cont'd

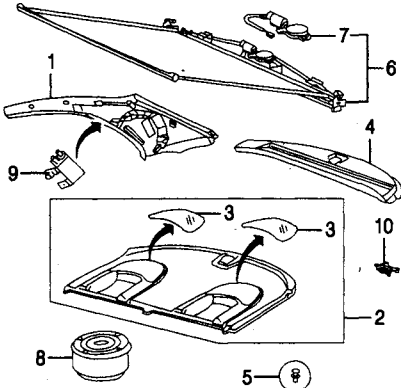


036-03047

L 210 817 53 48

24.50

## INTERIOR TRIM SEDAN



036-03048

### 1 Panel, Rear Trim-See Air Bag System Section

2 Tray Assy, Rear Shelf (a)			
w/Sunshade	R 210 690 32 49	#2.0	440.00
w/o Sunshade	L 210 690 29 49	#2.0	440.00

#Includes R&I Rear Seat Assy, R&R Trim Panels & High Mount

3 Grille, Speaker] (a)	R 210 690 26 30	19.50	
	L 210 690 25 30	19.50	

#Included w/Rear Shelf Tray Assy

4 Panel, Tray (a)			
w/Sunshade	R 210 690 30 49	238.00	

(a) Order by Application

5 Retainer, Tray (4)	140 990 05 92	1.70	
6 Sunshade Assy, Power	R 210 810 03 20	#2.2	780.00
7 Motor, Sunshade]	R 210 820 62 42	#2.2	286.00

#Included w/Power Sunshade Assy

#R&R Complete

8 Speaker, Radio	R/L 210 820 70 02	100.00	
w/Bose Sound System	R/L 210 820 86 02	69.00	
w/o Bose Sound System	R 210 820 34 89	109.00	
9 Amplifier, Sound System	L 210 820 32 89	109.00	

10 Support, Stop Lamp	R 210 820 00 82	6.00	
w/Sunshade			

## INTERIOR TRIM WAGON

Illustration Located in Next Column

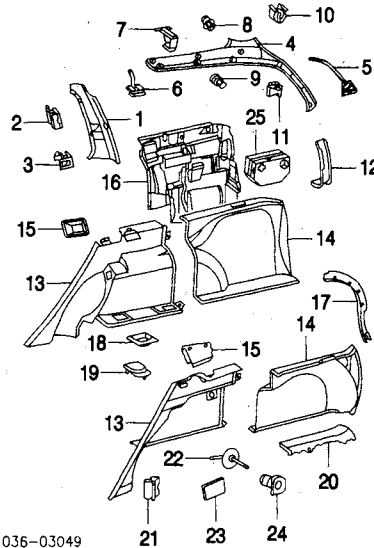
1 Panel, Pillar Trim]	R 210 690 44 40	.3	104.00
	L 210 690 43 40	.3	104.00

#Order by Application

2 Clip, Panel Upper (2/Side)	R/L 202 692 00 34	1.00	
3 Clip, Panel Lower (3/Side)	R/L 210 692 00 34	1.40	

4 Panel, Rear Trim-See Air Bag System Section	R 210 860 04 22	21.00	
5 Guide, Trim Panel]	L 210 860 03 22	21.00	

#Order by Application



036-03049

6 Clip, Front (3/Side)	R/L 008 988 62 78	.90	
7 Clip, Roof Rail	R/L 210 895 00 09	1.90	
8 Clip, Rear (2/Side)	R 006 988 43 78	.50	
9 Clip, Retainer	R/L 007 988 34 78	d.20	
10 Clip, Rear Upper (2/Side)	R/L 009 988 06 78	.50	
11 Clip, Rear Lwr	R/L 007 988 50 78	.50	
12 Panel, Lwr Pillar Trim]	R 210 692 02 01	7.75	
	L 210 692 01 01	7.75	
13 Panel, Whlbase Trim]	R 210 690 18 40	#1.1	286.00
	L 210 690 17 40	#1.1	286.00

#Includes R&I Rear Seat

14 Panel, Rear Trim]	R 210 690 04 40	218.00	
	L 210 690 03 40	218.00	
15 Cover, Ornamental]	R 210 690 02 79	6.75	
	L 210 690 03 79	6.75	

#Order by Application

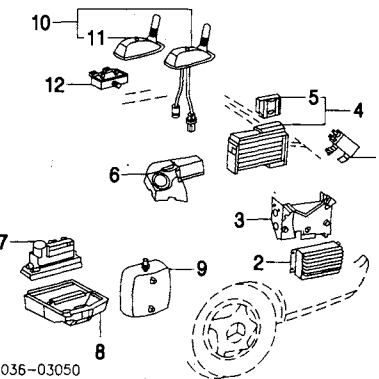
16 Cover, Rear Trim	R 210 690 20 40	57.00	
17 Cover, Gate Opening	R 210 693 12 33	.3	12.50
	L 210 693 11 33	.3	12.50

18 Housing, Load Anchorage]			
Wheelhouse	R 210 849 04 79	2.20	
w/3rd Seat	L 210 849 03 79	2.20	
w/o 3rd Seat	R/L 210 849 00 79	.85	
Rear Compartment (2/Side)	R/L 210 849 01 79	1.90	
Under Rear Seat	R/L 210 849 02 79	1.90	
19 Cover, Housing] (6)	R 210 849 01 03	1.50	

#Order by Application

20 Panel, Spare Wheel	R 210 693 17 91	9.75	
21 Spring, Whlbase Panel (3)	R 210 686 00 34	1.70	
22 Brkt, Spare Wheel	R 210 890 01 17	19.50	
23 Base, Wheel Well	123 899 00 92	5.50	
24 Screw, Spare Wheel Carrier	124 898 07 65	3.00	
25 Box, First Aid	000 860 05 50	0.00	

## ELECTRICAL COMPONENTS WAGON



036-03050

1 Amplifier, Radio Antenna			
At Rear Pillar	R 210 820 09 89	.3	130.00
2 Amplifier, Sound System	R 210 820 27 89	#4	745.00
3 Brkt, Amplifier	R 210 820 53 14	#4	25.00

#R&R Complete

4 Changer Assy, CD	002 820 80 89	.6	0.00
5 Magazine, CD]	002 820 62 89	.6	25.00

#Included w/CD Changer Assy

6 Speaker, Rear Comp	R 210 820 39 02	189.00	
7 Pump, Power Lock	R 210 800 28 48	.6	640.00
8 Cover, Pump	R 210 800 00 35	18.50	
9 Tank, Vacuum	R 170 805 00 19	.3	14.50

10 Antenna Assy, Phone-See Roof Section

11 Cap, Antenna]-See Roof Section

#Included w/Phone Antenna Assy

12 Adapter, Antenna

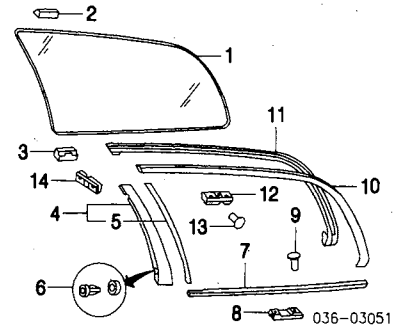
w/Telephone

210 820 24 89

66.00

## QUARTER GLASS

R&I Quarter Glass.....R/L #2.7  
#Includes Clean Up Old Adhesive as Necessary



036-03051

1 Glass, Quarter			
Mercedes-Benz (Tint)	R 210 670 02 12	#2.5	120.00
	L 210 670 01 12	#2.5	144.00
NAGS (Green)	R FQ05586GTN	#2.5	315.85
	L FQ05587GTN	#2.5	315.85

#Includes Clean Up Old Adhesive as Necessary

2 Block, Upper Glass Outside	R/L 210 671 00 53	2.70	
Pad, Upper Glass Outside	R/L 210 671 03 97	1.00	
3 Block, Lower Glass Outside	R/L 210 671 01 53	2.70	
4 Cover Assy, Front Trim	R 210 698 28 89	.3	87.00
	L 210 698 27 89	.3	87.00

5 Pad, Trim]	R/L 210 673 00 97	2.70	
--------------	-------------------	------	--

#Included w/Front Trim Cover Assy

6 Clip, Cover (2/Side)	R/L 123 690 00 18	1.20	
7 Midg, Belt	R 210 690 22 80	.3	76.00
	L 210 690 21 80	.3	76.00

8 Clip, Midg (5/Side)	R/L 009 988 63 78	.90	
9 Rivet (5/Side)	R/L 910001 003101	.50	
10 Cover, Upper Trim	R 210 698 12 89	#5	117.00
	L 210 698 11 89	#5	117.00

11 Cover, Lower Trim	R 210 670 12 08	#5	15.50
	L 210 670 11 08	#5	15.50

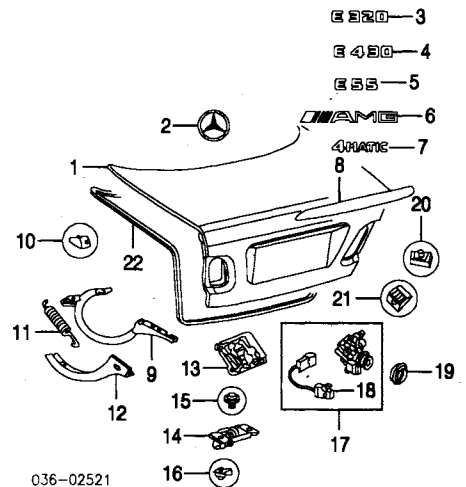
#R&R One Side Complete

12 Clip, Trim Cover (6/Side)	R/L 210 988 12 78	.50	
13 Rivet (6/Side)	R/L 910001 003101	.50	
14 Clip, Trim Cover (3/Side)	R/L 009 988 68 78	.70	

## LUGGAGE LID

Use Procedure Explanations 24 and 28 with the following text.

Refinish Luggage Lid Outside.....	2.2
Add for Underside.....	1.1
Refinish Hinge.....	R/L .2
Refinish License Lamp Shell.....	.4
R&I Lid Assy.....	1.0

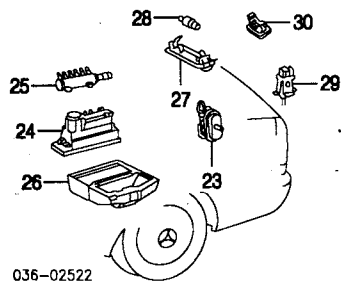


036-02521

1 Lid, Luggage	R 210 750 12 75	2.2	560.00
2 Star, Mercedes	R 210 758 00 58	.2	6.75

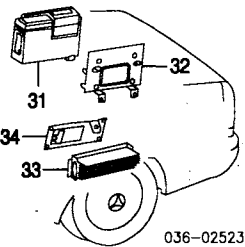
Nameplate (Adhesive)			
3 "E320"	124 817 58 15	.2	25.00
4 "E430"	124 817 63 15	.2	25.00
5 "E55"	210 817 24 15	.2	43.50
6 "AMG"	220 817 08 15	.2	62.00
7 "4MATIC"	124 817 62 15	.2	29.50
8 Shell, License Lamp]			
Black	R 210 750 04 93 9040	.4	75.00

Paint to Match	210 750 04 93	.4	75.00
<i>Order by Application</i>			
9 Hinge, Lid	R 210 750 12 28	#2.3	47.50
	L 210 750 11 28	#2.3	47.50
<b>#w/Lid Removed, Includes R&amp;L Rear Seat Assy &amp; R&amp;R Parcel Shell, R&amp;R Both Sides 2.6</b>			
10 Stop, Hinge	R/L 210 750 02 26		10.50
11 Spring, Hinge	R/L 210 757 00 29		9.25
12 Cover, Hinge/Cable	R 210 821 14 89		3.40
	L 210 821 13 89		3.40
13 Latch	210 750 07 84	.5	32.00
14 Striker, Latch	210 750 04 32	.3	8.00
15 Screw, Striker	R/L 002 984 49 29		.50
16 Lock Nut	R/L 004 994 16 45		.90
17 Cylinder Assy, Lock (a)	208 750 01 91	.5	254.00
<i>(a) Order by Key Code</i>			
18 Switch, Micro	208 820 10 10		15.50
<i>Included w/Lock Cylinder Assy</i>			
19 Seal, Lock Cylinder	208 750 00 98		44.50
20 Stop, Lid			
Upper	R 210 750 06 26		2.50
	L 210 758 07 44		2.40
Side	R/L 210 750 03 26		4.40
21 Bumper, Rubber	R/L 201 987 04 40		2.00
22 Weatherstrip	210 750 01 98	.5	55.00



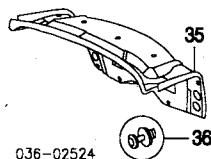
036-02522

23 Actuator, Power Lock	208 800 03 75	.4	20.00
24 Pump, Power Lock	210 800 27 48	.4	640.00
<i>Order by Application</i>			
25 Connector, Pipe	210 800 00 77		6.00
26 Cover, Pump	210 800 00 35		18.50
27 Lamp, Luggage Compartment	124 820 03 01		3.00
28 Bulb	072601 012120		1.90
29 Switch, Lamp	201 820 21 10		3.50
30 Lamp, Luggage Lid	210 820 04 01		17.50



036-02523

31 Changer, CD	002 820 80 89	.5	0.00
32 Bkt, Mounting	210 820 37 14		8.75
33 Amplifier, Sound System	210 820 26 89	.4	745.00
34 Bkt, Amplifier	210 820 05 14		10.00



036-02524

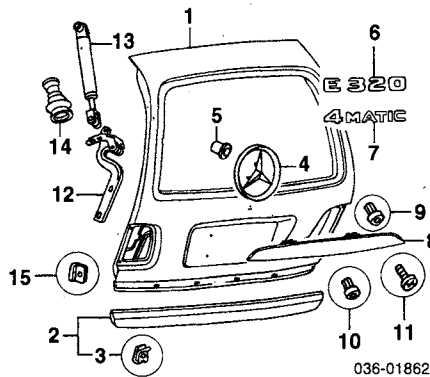
35 Panel, Lid Trim			
w/Warning Triangle	210 694 09 25	.3	132.00
w/o Warning Triangle	210 694 11 25	.3	109.00
<i>Order by Application</i>			
36 Retainer, Lid Panel (15)	201 990 02 92		1.20

**LIFTGATE**

Use Procedure Explanations 25 and 28 with the following text.

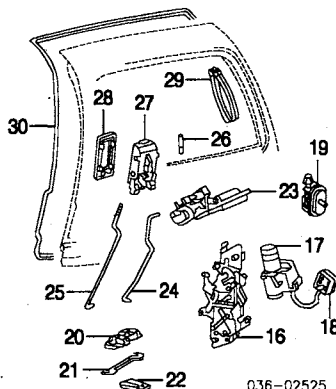
**SHEET METAL/EXTERIOR TRIM**

Refinish Liftgate Shell Outside	2.0
Add for Inside	1.0
Refinish Handle/Moulding Assy	.5
Refinish License Housing	.5
Refinish Hinge	R/L .2
R&L Liftgate Assy	.8
Add to R&R Liftgate Shell	
To Transfer Glass	.7



036-01862

1 Shell, Liftgate	210 740 04 05	5.6	600.00
2 Handle/Moulding Assy			
Black	210 740 04 93 9040	.3	164.00
Paint to Match	210 740 04 93	.3	177.00
<i>Order by Application</i>			
3 Clip, Midg (3)	010 988 56 78		.90
<i>Included w/Handle/Moulding Assy</i>			
4 Emblem, Star	210 758 01 58	.2	8.75
5 Grommet, Emblem Nameplate (Adhesive)	003 994 31 45		1.20
6 *E320*	124 817 58 15	.2	25.00
7 *4MATIC*	124 817 62 15	.2	29.50
8 Housing, License			
Black	210 740 00 40 9040	#3	94.00
Paint to Match	210 740 00 40	#3	107.00
<i>Order by Application</i>			
<b>#w/Lower Trim Panel Removed</b>			
9 Nut, Housing	R/L 140 990 06 58		1.40
10 Nut, Housing	R/L 124 990 04 51		1.20
11 Screw	R/L 202 990 04 21		0.00
12 Hinge	R 210 740 10 37	#4	80.00
	L 210 740 09 37	#4	80.00
<b>#w/Gate Removed</b>			
13 Support, Strut	R/L 001 980 80 64	.3	54.00
14 Boot, Support	R/L 210 997 40 81		5.00
15 Stop, Lower	R/L 210 766 00 76	.1	4.40

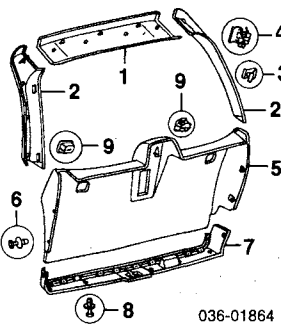


036-02525

16 Latch	210 740 08 36	#4	316.00
17 Motor, Central Lock	210 820 01 08	#4	222.00
<b>#w/Lower Trim Panel Removed</b>			
18 Switch, Micro	202 820 51 10		54.00
19 Actuator, Power Lock	140 800 29 75	#3	16.50
<b>#w/Lower Trim Panel Removed</b>			
20 Striker, Latch	210 740 00 32	.2	15.00
21 Pad, Striker	210 743 00 97		2.40
22 Plate, Striker	R 210 743 01 11		3.50
	L 210 743 00 11		2.20
23 Handle/Lock Cyl			
To VIN B173387	210 740 05 93	#5	310.00
From VIN B173368	210 740 06 93	#5	310.00
<i>Order by Key Code</i>			
<b>#w/Lower Trim Panel Removed</b>			
24 Rod, Handle	210 743 04 69		9.25
25 Rod, Actuator	210 743 02 69		9.25
26 Knob, Locking	N.A.		0.00
27 Handle, Inside	210 760 04 61	#4	43.50
<b>#w/Lower Trim Panel Removed</b>			
28 Cover, Handle			
w/3rd Seat	210 766 02 91		4.20
w/o 3rd Seat	210 766 00 91		4.20
29 Loop	210 740 00 86		24.50
30 Weatherstrip	210 740 03 78	.8	61.00

**INTERIOR TRIM**

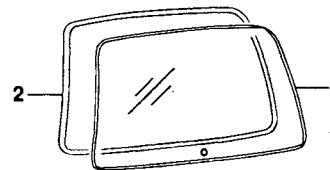
R&L Lower Trim Panel	.4
----------------------	----



036-01864

<b>Panel, Window Frame</b>			
1 Upper	210 740 11 70	.3	0.00
2 Side	R 210 740 10 70	.2	0.00
	L 210 740 09 70	.2	0.00
<i>Order by Application</i>			
3 Clip, Side/Upper (13)	008 988 51 78		.50
4 Brkt, Window Frame (4)	210 745 01 14		1.40
5 Panel, Lower	210 740 12 70	.4	199.00
<i>Order by Application</i>			
6 Clip, Side (2/Side)	R/L 201 990 02 92		1.20
7 Cover, Lower Trim	210 747 00 87		14.50
<i>Order by Application</i>			
8 Clip, Lower (8)	124 990 05 92		1.00
9 Retainer, Rear Blind	R/L 210 690 00 19		3.90

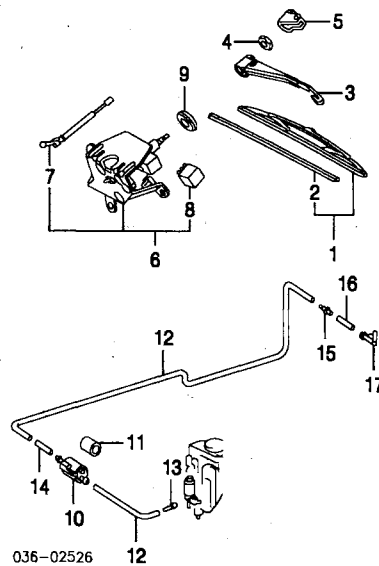
**GLASS & PARTS**



036-01865

<b>1 Glass, Liftgate</b>			
Mercedes-Benz			
Blue	210 740 07 57	#2.7	310.00
Green	210 740 06 57	#2.7	276.00
NAGS (Green)	FB05588GTN	#2.7	436.35
<b>#Includes Clean Up Old Adhesive as Necessary</b>			
2 Covering, Glass	210 745 02 80		37.50

**WIPER SYSTEM**



036-02526

1 Blade Assy, Wiper	210 820 01 45	#1	9.75
2 Insert, Wiper Blade	000 824 58 27	#1	6.75
<i>Included w/Wiper Blade Assy</i>			
<b>#Included in R&amp;R Liftgate</b>			
3 Arm, Wiper	210 820 03 44	#2	24.50
<b>#Includes R&amp;R Blade Assy or Insert, Included in R&amp;R Liftgate</b>			
4 Nut, Wiper Arm	304032 008012		.90
5 Cap, Wiper Arm	210 824 01 49		2.20
6 Motor Assy, Wiper	210 820 75 42	#1.5	194.00
7 Nozzle, Washer	N.A.	#2	0.00
<b>#Included in R&amp;R Liftgate</b>			
8 Relay, Wiper	210 824 00 18		14.50



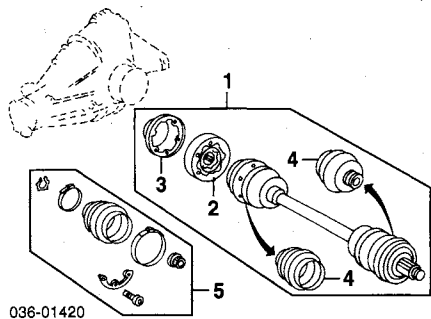
# M-BENZ E-CLASS SED 00-02/ WGN 2000-03

49	RWD Brkt. Sensor	R/L 210 320 30 89	m #.8	31.00
50	AWD	R/L 210 327 08 40	m #.8	12.50
51	RWD	R/L 210 327 05 40	m #.8	3.90

#R&R One Side Complete, Not Included in O/H

## REAR DRIVE AXLE

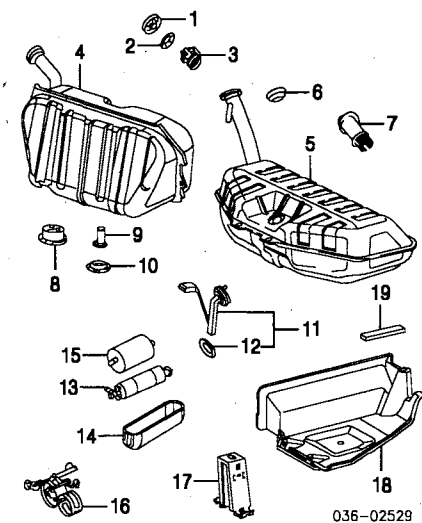
R&I Axle Shaft Assy.....R/Lm #1.8  
#w/Knuckle Assy Removed Deduct 1.5



1	Shaft Assy, Axle			
	E320			
	Sedan	R/L 210 350 84 10	m #1.8	960.00
	Wagon	R/L 210 350 87 10	m #1.8	960.00
	E430			
	AWD	R/L 210 350 84 10	m #1.8	960.00
	RWD	R/L 210 350 40 56	m #1.8	780.00
	E55	R/L 210 350 09 56	m #1.8	780.00
	#w/Knuckle Assy Removed Deduct 1.5			
2	Joint, CV Inner	R/L 140 350 08 13	m #2.9	244.00
3	Cap, Locking	R/L 124 357 03 89	m #2.9	5.75
4	Boot, Otr/Inn (2/Side)	R/L 202 357 00 91	m #2.9	26.50
	#Included w/Axle Shaft Assy			
	#R&R One Side Complete, Includes R&I Axle Shaft Assy, w/Knuckle Removed Deduct 1.5			
5	Repair Kit, Boot	R/L 210 350 05 37	m	57.00

## FUEL TANK

R&I Fuel Tank.....m 3.2  
NOTE: R&R/R Does Not include drain and refill.



1	Cap, Filler	140 470 03 05		15.50
2	Grommet, Filler Neck	140 997 39 81		5.25
3	Restrictor, Fuel Tank, Fuel	210 471 00 88		4.50
4	Sedan	210 470 65 01	m 3.6	710.00
5	Wagon	210 470 73 01	m 3.6	695.00
6	Grommet, Filler Neck	201 997 13 81		6.00
7	Boot, Breather Line	210 471 03 81		7.50
8	Boot, Mount	210 471 04 81		3.40
9	Strainer, Fuel	210 470 01 06		21.00
	Sedan	111 470 06 86		25.00
10	Boot, Strainer	124 471 04 81		3.40
	Sedan			
11	Gauge Assy, Tank Unit			
	Sedan	210 542 41 17	m #.6	162.00
	Wagon	210 542 26 17	m #.6	115.00
12	Seal, Tank Unit	210 471 00 79	m #.6	5.50
	#Included w/Tank Unit Gauge Assy			

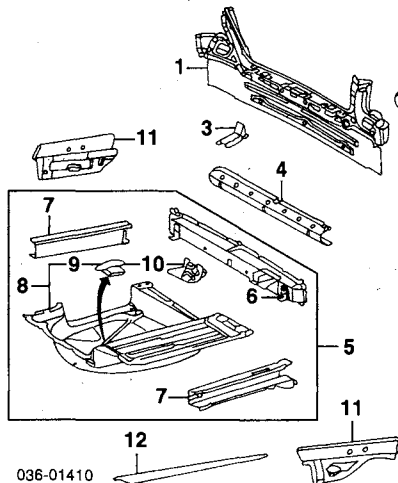
13	Pump, Fuel	000 470 78 94	m #1.0	318.00
	#R&R Complete			
	#Included in R&R Fuel Tank			
14	Cover, Fuel Pump			
	Wagon	210 478 01 37		3.70
15	Filter, Fuel	002 477 31 01	.6	48.00
	Brkt, Fuel Pump Mounting			
16	Sedan	210 471 05 41		6.25
17	Wagon	210 478 08 40		4.50
18	Cover, Protection	210 478 02 37		49.50
19	Pad, Lower (2)	124 475 00 20		1.50

## REAR BODY

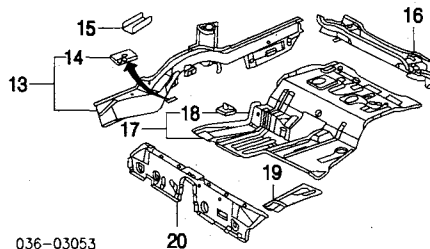
Use Procedure Explanations 26 and 28 with the following text.

### SHEET METAL SEDAN

Refinish Rear Body Panel Outside.....	2.0
Add for Edge & Inside.....	.8
Refinish Rear Floor Assy.....	1.2



1	Panel, Rear Body	210 640 09 71	#8.0	270.00
	#Deduct 2.0 for Each Quarter Panel Removed, Deduction Includes Common Surfaces & Included Operations			
2	Plug, Rear Panel	R/L 000 997 38 20		2.70
3	Reinf, Outer	R/L N.A.		0.00
	Canada			
4	Reinf, Crossmember	N.A.		0.00
	Canada			
	Brkt, Reinf	R/L 210 618 01 16		3.00
	Rivet (a)	003 990 35 97		.70
	(a) As Required			
5	Floor Assy, Rear	210 610 06 61	#12.5	945.00
	#w/Rear Body Panel Removed			
6	Crossmember, Rear	210 610 00 14	3.5	109.00
7	Rail, Rear	R 210 611 10 21	s	165.00
	L 210 611 09 21		s	165.00
8	Well Assy, Spare Wheel	210 610 02 75	#8.5	254.00
	#w/Rear Body Panel Removed			
9	Brkt, Wheel Mount (b)	124 618 33 31		2.20
10	Clamp, Tow Brkt (b)	202 618 00 32		16.50
	#Included w/Rear Floor Assy			
	(b) Included w/Spare Wheel Well Assy			
11	Reinf, Rail End	R 210 611 04 39	4.0	14.00
	L 210 611 03 39		4.0	14.00
12	Reinf, Spare Wheel Well			
	Canada	L N.A.		0.00

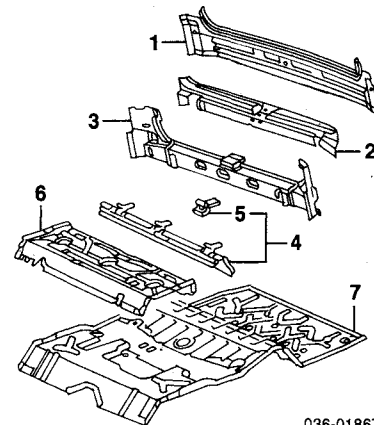


13	Rail Assy, Side	R 210 610 12 10	s #17.0	885.00
	L 210 610 11 10		s #17.0	885.00
	#Includes R&I Fuel Tank, w/Inner Wheelhouse Removed Deduct 2.0, Does Not Include Frame Set-Up on Straightening Bench as per Manufacturer Recommended Procedures			
14	Plate, Axle Mount (c)	R/L 201 611 00 11		6.00
	(c) Included w/Side Rail Assy			
15	Reinf, Rail	R/L 201 616 05 16		8.00
16	Crossmember, Front	210 610 02 16	3.2	189.00
17	Floor Assy, Center	210 610 07 61	#19.0	555.00

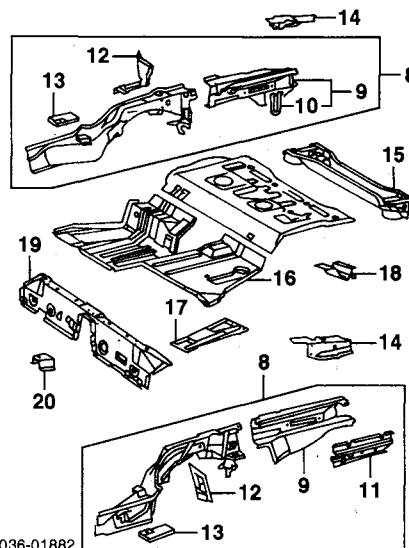
18	Brkt, Battery (d)	210 610 01 36		3.40
	(d) Included w/Center Floor Assy			
19	Reinf, Floor	210 619 04 16		5.50
20	Crossmember, Center	210 610 09 20		175.00

## SHEET METAL WAGON

Refinish Rear Body Panel Outside.....	1.5
Add for Edge & Inside.....	.8
Refinish Rear Floor Pan.....	1.2



1	Panel, Rear Body			
	To VIN B041817	210 640 11 71	#7.5	181.00
	From VIN B041818	210 640 12 71	#7.5	270.00
	#Deduct 2.5 for Each Quarter Panel Removed, Deduction Includes Common Surfaces & Included Operations			
2	Xmbr, Rear Upper	210 642 01 14	3.0	35.00
3	Xmbr, Lower	210 610 08 14	5.0	120.00
4	Crossmember Assy, Rear Loading Floor			
	Sedan	210 610 10 20		100.00
	Wagon	210 610 01 84		17.50
5	Hinge (3)			
	#Included w/Rear Loading Floor Crossmember Assy			
6	Xmbr, Front Loading Floor	210 610 11 20		74.00
7	Pan, Floor Rear	210 610 08 61	#16.0	555.00
	#w/Rear Body Panel Removed			



8	Rail Assy, Side	R 210 610 14 10	s #17.0	1080.00
	L 210 610 13 10		s #17.0	1080.00
	#Does Not Include Frame Set-Up on Straightening Bench as per Manufacturer Recommended Procedures, Includes R&I Fuel Tank, w/Inner Wheelhouse Removed Deduct 2.0			
9	Extension Assy, Side Rail	R 210 610 16 10	s	238.00
	L 210 610 15 10		s	238.00
	R 210 611 00 29			4.80
	(a) Included w/Side Rail Extension Assy			
11	Reinf, Side Rail	L 210 611 17 16	s	17.00
12	Reinf, Whltse	R 210 611 37 16		28.50
	L 210 611 31 16			5.25
13	Plate, Axle Mtg	R/L 201 611 00 11		6.00
	#Included w/Side Rail Assy			
14	Reinf, Rail Upper	R 210 610 12 25		21.00
	L 210 610 11 25			21.00
15	Crossmember, Front	210 610 02 16		3.2
				189.00



# M-BENZ E-CLASS SED 00-02/ WGN 2000-03

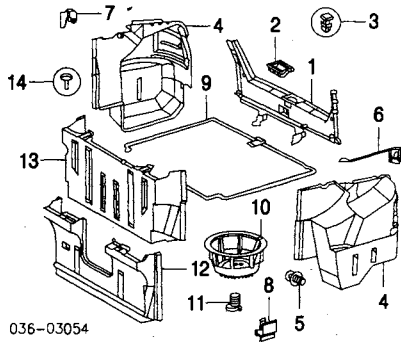
## REAR BODY Cont'd

### SHEET METAL

#### WAGON Cont'd

Rivet (b)	003 990 35 97	.70
<i>(b) As Required</i>		
16 Pan, Floor Center	210 610 07 61	#19.0 555.00
<i>#Includes R&amp;I Fuel Tank, w/Inner Wheelhouse Removed Deduct 2.0, Does Not Include Frame Set-Up on Straightening Bench as per Manufacturer Recommended Procedures</i>		
17 Reinf, Floor Center	210 619 05 16	5.50
18 Brkt, Battery/Frame	210 619 00 24	8.75
19 Crossmember, Center	210 610 09 20	175.00
20 Brkt, Rear Seat	R 210 618 10 31	4.20
	L 210 618 14 31	3.50

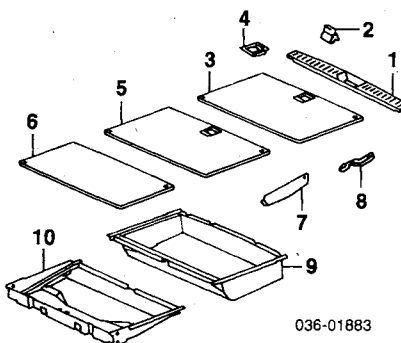
## INTERIOR TRIM SEDAN



036-03054

1 Panel, Rear Body	210 690 00 25	.4	20.00
2 Insert, Panel	210 694 00 10		3.40
3 Clip, Panel (9)	124 990 07 92		.40
4 Panel, Comp Side <sup>1)</sup>			
w/Navigation System	R 210 690 10 40	#.6	69.00
	L 210 690 73 40	#.6	69.00
w/o Navigation System	R 210 690 10 40	#.6	69.00
	L 210 690 09 40	#.6	69.00
<i>#Order by Application</i>			
<i>#Includes R&amp;R Rear Body Panel Trim</i>			
5 Rivet, Panel	R 126 990 01 92		.50
	L 126 990 02 92		2.90
6 Cover, Side Panel	R 210 693 02 33		8.75
	L 210 693 01 33		8.75
7 Hook, Panel	R/L 210 693 00 82		1.70
8 Clip, Panel	R/L 210 988 11 78		.50
9 Panel, Lower <sup>1)</sup>	210 680 08 42		134.00
<i>#Order by Application</i>			
10 Shell, Spare Wheel	210 898 03 07		18.50
11 Screw, Shell Panel, Front	124 898 07 65		3.00
12 w/Ski Bag	210 690 98 25	.4	0.00
13 w/o Ski Bag	210 693 15 91	.4	81.00
14 Clip (3)	126 990 01 92		.50

## INTERIOR TRIM WAGON



036-01883

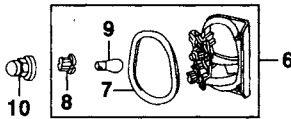
1 Plate, Scuff			
To VIN B055890	210 698 15 89	.2	94.00
From VIN B055891	210 698 18 89	.2	94.00
2 Brkt, Plate (4)	210 698 02 14	1.50	
3 Cover, Loading Floor <sup>1)</sup>	210 680 24 02		304.00
<i>#Order by Application</i>			
4 Latch, Cover <sup>1)</sup>	124 680 08 84		33.50
<i>#Order by Key Code</i>			
5 Cover, Frt Folding Seat	210 680 23 02		332.00
6 Cover, Rear Folding Seat	210 680 21 02		190.00
7 Brkt, Loading Floor	R 124 684 06 37		4.20
	L 124 684 05 37		4.20
8 Brkt, Cover	124 684 09 35		2.50
9 Lining, Rear Loading Floor	210 684 00 11		52.00

10 Lining, Frt Loading Floor 210 684 01 11 36.00

## REAR LAMPS

### COMBINATION LAMP

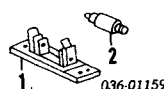
R&I Outer Lamp Assy	R/L	.4
R&I Inner Lamp Assy		
Sedan	R/L	.4
Wagon	R/L	#.3
<i>#w/Lower Trim Panel Removed</i>		



036-01413

1 Lamp Assy, Outer			
Sedan			
Avantgarde Pkg	R 210 820 84 64	.4	89.00
	L 210 820 83 64	.4	89.00
Classic Model, Elegance Pkg	R 210 820 36 64	.4	89.00
	L 210 820 35 64	.4	89.00
Wagon			
Avantgarde Pkg	R 210 820 70 64	.4	89.00
	L 210 820 69 64	.4	89.00
Classic Model, Elegance Pkg	R 210 820 56 64	.4	89.00
	L 210 820 55 64	.4	89.00
2 Seal, Lamp <sup>1)</sup>			
Sedan	R/L 210 826 09 91		8.50
Wagon	R 210 826 20 80		9.75
	L 210 826 23 80		9.75
3 Socket, Bulb <sup>1)</sup>			
Stop/Tail Signal	R/L 140 826 00 82		6.75
Sedan	R/L 140 826 05 82		6.75
Wagon	R/L 210 826 01 82		6.75
Tail	R/L 210 826 03 82		6.75
4 Bulb <sup>1)</sup>			
Stop/Tail Signal	R/L 000 825 01 94	.1	3.50
Sedan	R/L 600000 000006	.1	3.00
Wagon	R/L 600000 000002	.1	0.00
Tail			
Sedan	R/L 600000 000006	.1	3.00
Wagon	R/L 600000 000004	.1	2.40
<i>#Included w/Outer Lamp Assy</i>			
5 Nut, Retainer (4/Side)	R/L 913017 005000		.70
6 Lamp Assy, Inner			
Sedan			
Avantgarde Pkg	R 210 820 90 64	.4	68.00
	L 210 820 89 64	.4	68.00
Classic Model, Elegance Pkg	R 210 820 42 64	.4	68.00
	L 210 820 41 64	.4	68.00
Wagon			
Avantgarde Pkg	R 210 820 78 64	#.3	0.00
	L 210 820 77 64	#.3	0.00
Classic Model, Elegance Pkg	R 210 820 64 64	#.3	68.00
	L 210 820 63 64	#.3	68.00
<i>#w/Lower Trim Panel Removed</i>			
7 Seal, Lamp <sup>1)</sup>			
Sedan	R/L 210 826 08 91		4.20
Wagon	R 210 826 14 80		7.50
	L 210 826 21 80		7.50
8 Socket, Back-Up/Fog <sup>1)</sup>	R/L 140 826 05 82		6.75
9 Bulb <sup>1)</sup>			
Sedan	R/L 600000 000006	#.2	3.00
Wagon	R/L 072601 012190	#.2	1.40
<i>#Included w/Inner Lamp Assy</i>			
<i>#R&amp;R One or All One Side</i>			
10 Nut, Retainer (2/Side)	R/L 210 990 00 53		1.50

## LICENSE LAMP

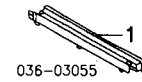


036-01159

1 Lamp, License			
Sedan	R/L 210 820 03 56	#.2	15.50
Wagon	R/L 202 820 04 56	#.2	7.00
2 Bulb, License Lamp	R/L 072601 012130	#.2	1.90
<i>#R&amp;R One Side Complete</i>			

## HIGH MOUNT STOP LAMP SEDAN

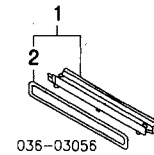
Illustration Located in Next Column



036-03055

1 Lamp, Stop <sup>1)</sup> (a)	208 820 02 56	.4	102.00
<i>#Order by Application</i>			
<i>(a) Mounted on Rear Shelf Tray</i>			

## HIGH MOUNT STOP LAMP WAGON



036-03056

1 Lamp Assy, Stop	210 820 10 56	#.3	124.00
<i>#w/Upper Window Frame Panel Removed</i>			
2 Seal, Lamp <sup>1)</sup>	210 826 07 91		19.50
<i>#Included w/Stop Lamp Assy</i>			

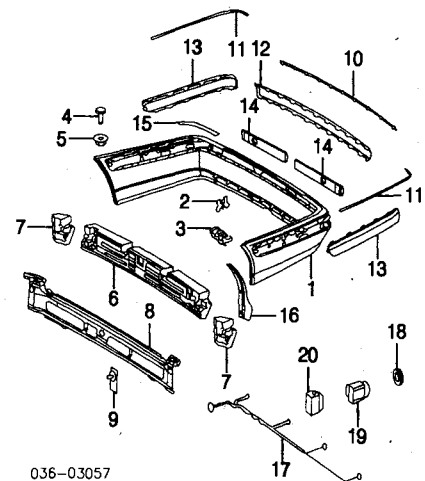
## REAR BUMPER

Use Procedure Explanations 27 and 28 with the following text.

### SEDAN

Refinish Cover Assy			2.0
Refinish Center Impact Strip			.6
Refinish Outer Impact Strip	R/L		.5
R&I Bumper Assy			1.0
O/H Bumper Assy (Includes R&I)			2.5
R&R Parktronic Sensors Complete			.5
Add to R&R or O/H Bumper Assy			.5
w/Parktronic Sensor			.5
w/Telephone Antenna			.4

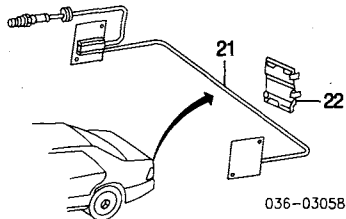
NOTE: All Parts in this section are included in overhaul unless noted otherwise.



036-03057

1 Cover, Rear (P)			
E320, E430			
w/Sport Pkg	210 885 27 25		1030.00
w/o Sport Pkg	210 885 21 25		454.00
E55	210 885 26 25		1030.00
<i>(P) Paint to Match</i>			
2 Brkt, Rear Cover	R/L 210 885 30 14		3.00
3 Brkt, Absorber	R/L 210 880 29 14		9.75
4 Rivet, Bumper Cover (8)	009 990 00 94		1.00
5 Nut (8)	001 990 20 50		.40
6 Absorber, Center Impact	210 885 69 37		IOH 127.00
7 Absorber, Outer Impact	R 210 885 68 37		IOH 12.00
	L 210 885 65 37		IOH 12.00
8 Frame, Rear Cover	210 880 08 52		IOH 87.00
9 Plate, Mounting (3)	210 880 03 11		12.00
10 Midg, Cover Center	210 885 12 74		#.2 95.00
11 Midg, Cover Outer	R 210 885 14 74		#.2 63.00
	L 210 885 13 74		#.2 63.00
<i>#w/Impact Strip Removed, Included in R&amp;R Impact Strip</i>			
12 Strip, Impact Center (P)			
w/Parktronic System	210 885 43 21	.4	258.00
w/o Parktronic System	210 885 32 21	.4	258.00
13 Strip, Impact Outer (P)	R 210 885 30 21	.4	208.00
	L 210 885 29 21	.4	208.00
<i>(P) Paint to Match</i>			
14 Absorber, Energy	R/L 210 885 93 37		19.50
15 Seal, Cover	R 210 889 12 95		6.00

16 Seal, WhlHse/Cover	L 210 889 11 95	6.00
	R 210 698 10 98	4.00
	L 210 698 09 98	4.00
17 Harness, Parktronic	210 540 15 33	102.00
18 Ring, Spacer (4)	000 542 05 51	#.2 2.40
19 Sensor, Parktronic (4)	001 542 74 18	#.2 57.00
20 Housing, Sensor (4)	210 885 00 67	#.2 5.25
<b>#R&amp;R Complete, w/Bumper Removed</b>		



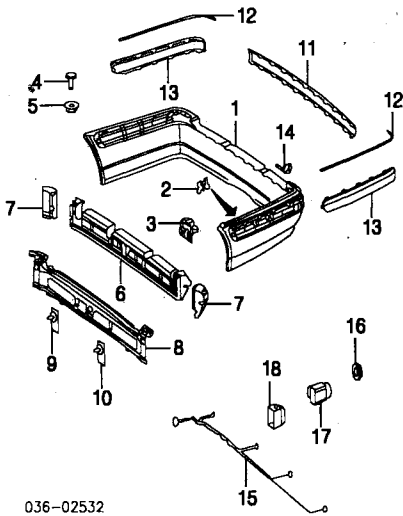
19 Antenna, Telephone	210 820 17 75	#.4 127.00
<b>#w/Bumper Assy Removed, Not Included in O/H</b>		
20 Plate, Antenna	R/L 210 885 17 11	3.70

21 Antenna, Telephone	210 820 17 75	#.4 127.00
<b>#w/Bumper Assy Removed, Not Included in O/H</b>		
22 Plate, Antenna	R/L 210 885 16 11	3.70

**WAGON**

Refinish Rear Cover	2.1
Refinish Center Impact Strip	.6
Refinish Outer Impact Strip	R/L .5
R&I Bumper Assy	1.5
O/H Bumper Assy (Includes R&I)	3.0
R&R Parktronic Sensors Complete	.5
Add to R&R or O/H Bumper Assy	
w/Parktronic Sensor	.5
w/Telephone Antenna	.4

**NOTE: All Parts in this section are included in overhaul unless noted otherwise.**



1 Cover Assy, Rear (P)	210 885 22 25	3.0 454.00
<i>(P) Paint to Match</i>		
2 Brkt, Rear Cover	R/L 210 885 30 14	3.00
3 Brkt, Absorber	R/L 210 880 25 14	4.70
4 Rivet, Bumper Cover (8)	009 990 00 94	1.00
5 Nut (8)	001 990 20 50	.40
6 Absorber, Center Impact	210 885 75 37	IOH 127.00
7 Absorber, Outer Impact	R 210 885 72 37	IOH 25.00
	L 210 885 71 37	IOH 25.00
8 Frame, Rear Cover	210 880 07 52	IOH 87.00
9 Plate, Inner Mounting	210 880 07 11	14.00
10 Plate, Outer Mounting	R/L 210 880 06 11	12.00
11 Strip, Impact Center (P)		
w/Parktronic System	210 885 40 21	.4 47.50
w/o Parktronic System	210 885 38 21	.4 230.00
<i>(P) Paint to Match</i>		
12 Midg, Cover Outer	R 210 885 18 74	#.2 63.00
	L 210 885 17 74	#.2 63.00
<b>#w/Impact Strip Removed, Included in R&amp;R Impact Strip</b>		
13 Strip, Impact Outer (P)	R 210 885 36 21	.4 208.00
	L 210 885 35 21	.4 208.00
<i>(P) Paint to Match</i>		
14 Trim, Rear Cover	R 210 885 14 23	10.00
	L 210 885 13 23	10.00
Seal, Cover	R 210 889 16 95	5.00
	L 210 889 15 95	5.00
15 Harness, Parktronic	210 540 15 33	102.00
16 Ring, Spacer (4)	000 542 05 51	#.2 2.40
17 Sensor, Parktronic (4)	001 542 74 18	#.2 57.00
18 Housing, Sensor (4)	210 885 00 67	#.2 5.25
<b>#R&amp;R Complete, w/Bumper Assy Removed</b>		

**M-BENZ G-CLASS 2002-05**

**SECTION INDEX**

A/C /HEATER/VENTILATION	1091
A/C REFRIGERANT CAPACITIES	1091
ABS/BRAKES	1092
AIR BAG SYSTEM	1092
AIR CLEANER	1095
BACK DOOR	1103
CENTER CONSOLE	1097
CHASSIS TYPE	1089
CLEAR COAT IDENTIFICATION	1090
COOLING	1091
COWL & DASH	1097
ELECTRICAL	1096
EMISSION SYSTEM	1096
ENGINE OIL COOLER	1091
ENGINE UNDER COVER	1095
ENGINE/TRANS	1094
ENGINE/TRANS MOUNTS	1095
EXHAUST	1095
FRAME	1093
FRONT BUMPER	1090
FRONT DOOR	1100
FRONT DRIVE AXLE	1094
FRONT FENDER	1092
FRONT LAMPS	1090
FRONT SEAT	1099
FRONT STEERING LINKAGE/GEAR	1094
FRONT SUSPENSION	1093
FUEL TANK	1104
GRILLE	1090
HOOD	1091
INFORMATION LABELS	1090
INSTRUMENT PANEL	1097
PAINT CODE LOCATION	1090
QUARTER GLASS	1103
QUARTER PANEL	1102
REAR BODY	1104
REAR BUMPER	1105
REAR DOOR	1101
REAR DRIVE AXLE	1104
REAR LAMPS	1105
REAR SEAT	1099
REAR SUSPENSION	1104
ROCKER/PILLARS/FLOOR	1098
ROOF	1101
SEAT BELTS	1099
SPECIAL CAUTIONS	1089
STEERING PUMP	1094
STEERING WHEEL/COLUMN	1094
SUNROOF	1102
SUPERCHARGER/INTERCOOLER	1095
TRANS OIL COOLER	1091
UNDERHOOD DIMENSIONS	1092
WHEEL	1093
WINDSHIELD	1096

**CHASSIS TYPE**

Model Chassis Type	
G500	Ch. 463.249
G55 AMG	
2003-04	Ch. 463.246
2005	Ch. 463.271

**SPECIAL CAUTIONS**

**AIR BAGS**

Refer to Procedure Explanation 29 for Supplemental Restraint/Air Bag Special Cautions.

**ELECTRICAL**

Ignition must be in off position before any electrical repair is performed.

**SUSPENSION**

Manufacturer advises that some new fasteners must be used whenever old fasteners are loosened or removed.